



Spare parts for:  
**Coffee grinders**



Suitable for:

**MAZZER**



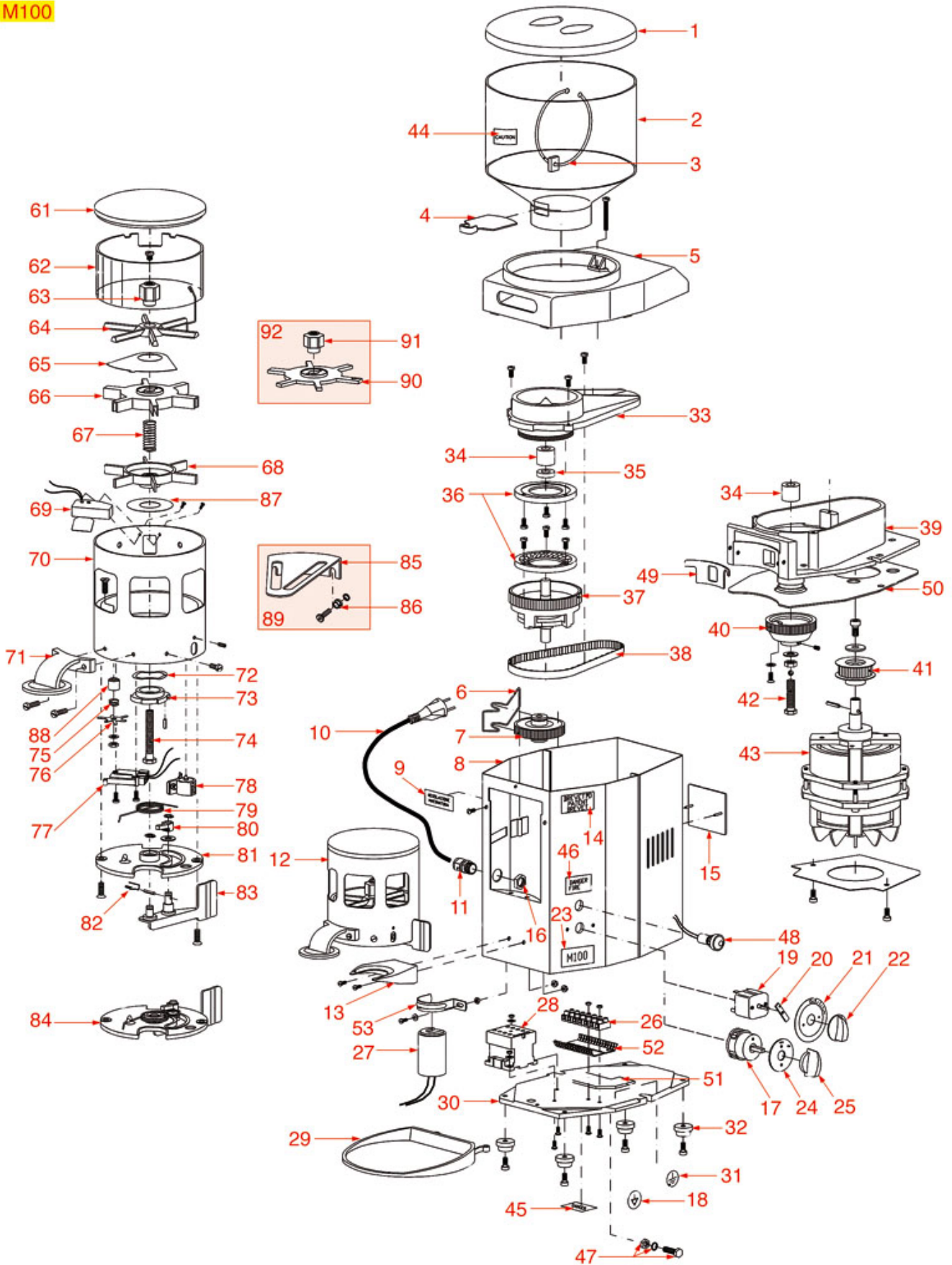
This catalogue is automatically generated.  
Therefore, the sequence of the items might  
not be always shown at best.  
Updates will be issued in case of additions  
and/or amendments.  
*Suitable universal spare parts may not be included*





## GRINDER ASSEMBLY M100

M100



MZ0001



# MAZZER



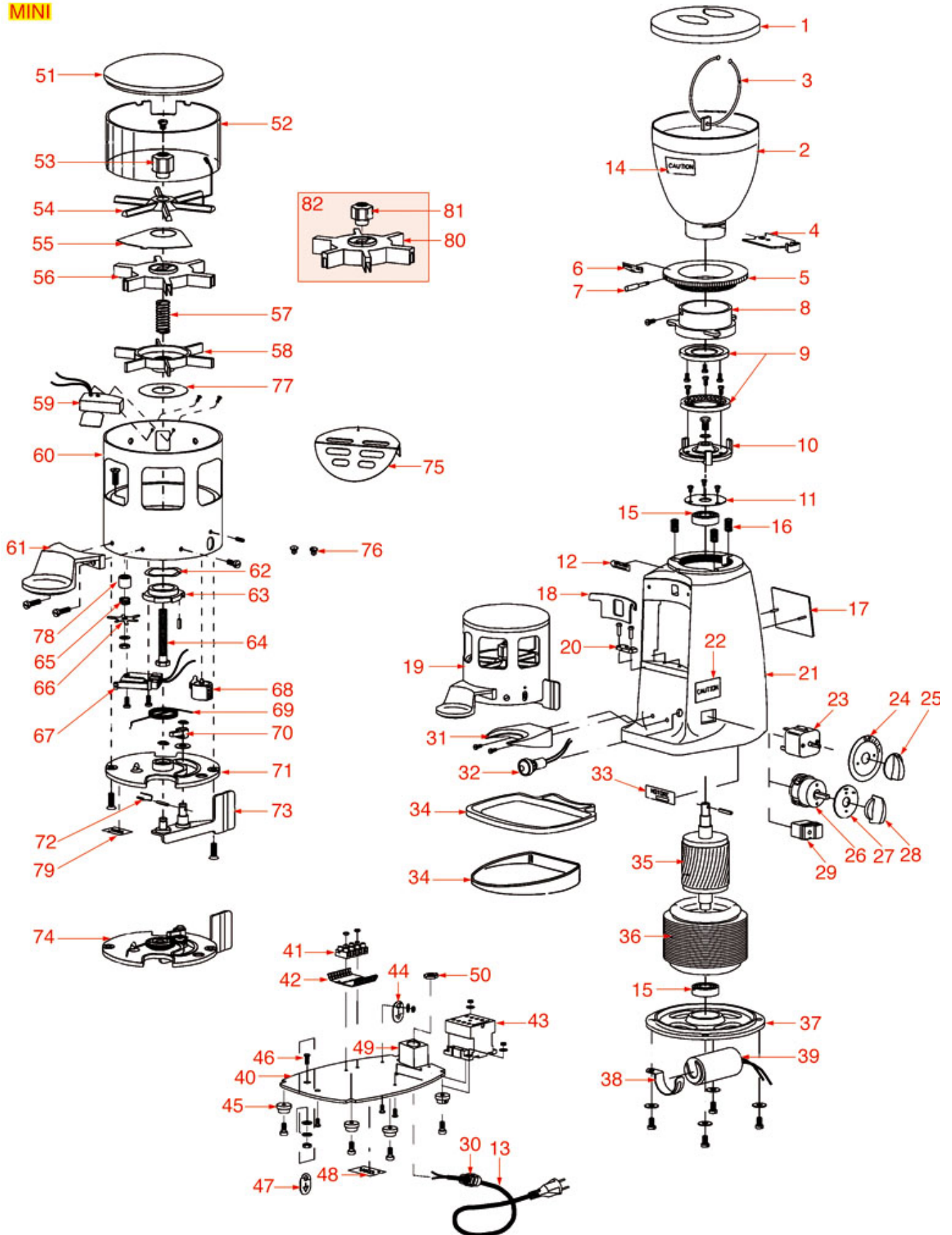
Position	LF code no.	Description
1	1080081	COFFEE HOPPER LID ø 196 mm
2	1080080	COFFEE HOPPER
13	1252082	FILTER HOLDER FORK
15	1252066	LABEL 4M MAZZER
17	1057903	SELECTOR SWITCH 0-1-START POSITIONS 20A
17	1057904	SELECTOR SWITCH 0-1- POSITIONS 20A 690V
17	1319001	SELECTOR SWITCH 0-1 POSITIONS 20A 290V
19	1446900	TIMER 50 SECONDS 16A 250V
19	1446901	THREE-POLAR TIMER 50 SECONDS
21	1446902	TIMER LABEL
22	1446903	TIMER KNOB
24	1252067	LABEL FOR SELECTOR SWITCH 0-1 POSITIONS
25	1241542	BLACK KNOB FOR CONVERTER
27	3068014	CAPACITOR µF 8 450V 50/60Hz
27	3068016	CAPACITOR µF 10 450V 50/60Hz
28	1454902	CONTACTOR LOVATO BG0910A
28	3446556	CONTACTOR LOVATO BG0910A
32	1313903	FOOT ASSEMBLY
36	1251116	GRIND.BURRS MAZZER (PAIR) RH SINGLE-PH.
36	1251117	GRIND.BURRS MAZZER (PAIR) RH THREE-PH.
38	1062001	TOOTHED BELT 172 L 050 H13
44	1009007	CAUTION-HOPPER LABEL
45	1252099	"DANGER" LABEL
49	1186906	AER-STOP GASKET
61	1252086	DOSER LID ø 125 mm
62	1252087	DOSER CYLINDER ø 120x68 mm
63	1241909	SMALL CONTROL HANDLE
65	1252088	CLOSING SECTOR
66	1343902	STAR (FEMALE)
67	1252089	DOSER PRESSURE SPRING
68	1343903	STAR (MALE)
69	1240941	UPPER MICROSWITCH ASSEMBLY
71	1385901	COFFEE TAMPER ø 53 mm
71	1385902	COFFEE TAMPER ø 54.5 mm
71	1385903	COFFEE TAMPER ø 58 mm
72	1252091	COMPENSATION RING ø 32 mm
73	1252092	PAWL FOR COFFEE GRINDER/DOSER
74	1252093	DOSING ADJUSTMENT SCREW
75	1250921	LOWER MICRORELEASE SPRING
76	1343904	LOWER MICROSWITCH STAR
77	1240942	MICROSWITCH 12A 250 V
79	1250922	DOSER LEVER RETURN SPRING
80	1252095	DOSER RETAINER
82	1250923	RETAINER SPRING
83	1252096	DOSER LEVER
84	1252097	DOSER LEVER ASSEMBLY
85	1252441	COFFEE OUTLET PROTECTION
87	1252098	DOSER WASHER
88	1343905	LOWER MICROSWITCH STAR SPACER
92	1343907	STAR WITH ADJUSTMENT KNOB





## GRINDER ASSEMBLY MINI

**MINI**



MZ0101





# MAZZER

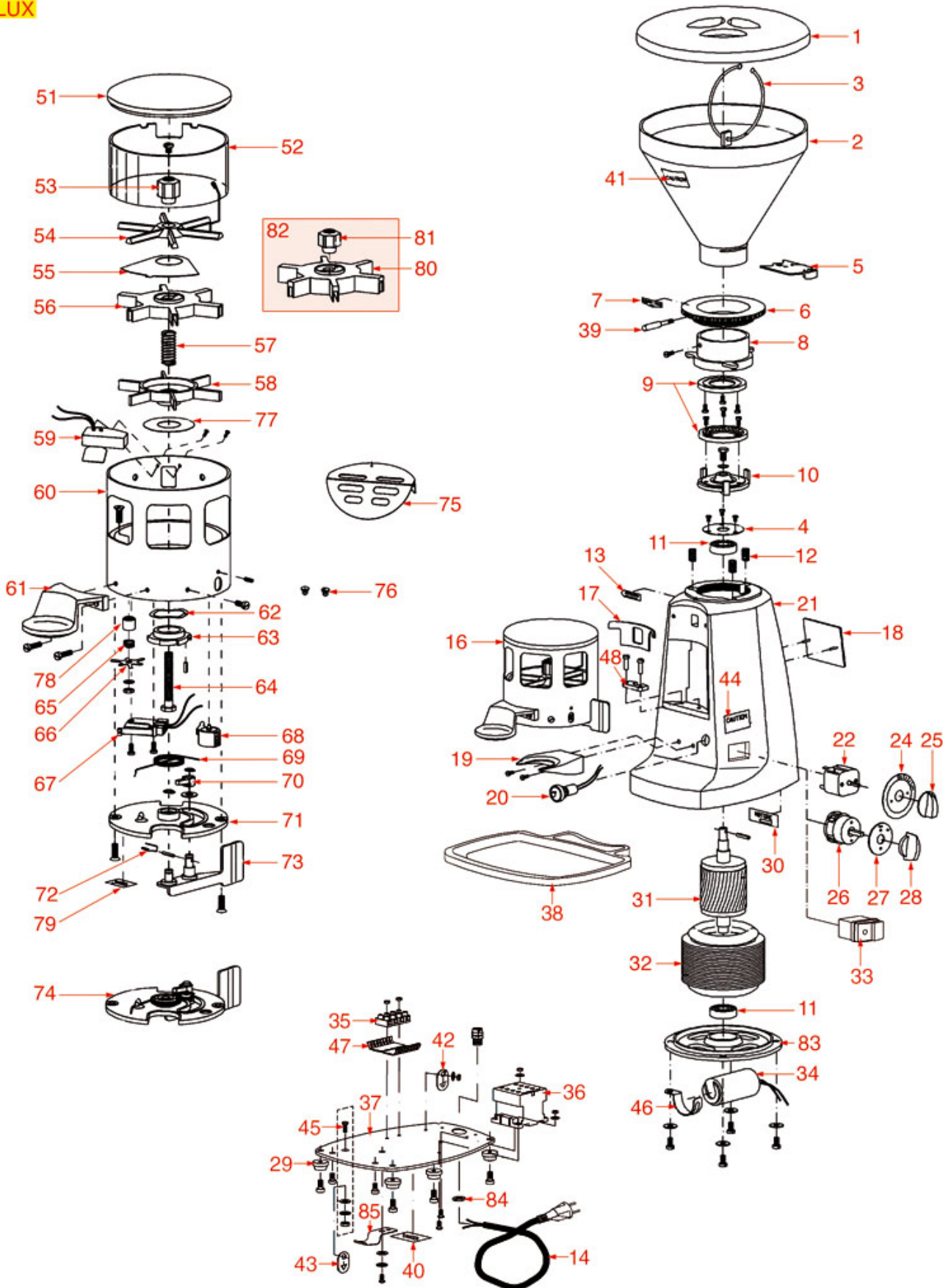


Position	LF code no.	Description
1	1252060	COFFEE HOPPER LID $\varnothing$ 160 mm
2	1080076	COMPLETE COFFEE HOPPER 320 gr
2	1252901	COMPLETE COFFEE CONTAINER
4	1252063	COFFEE HOPPER CLOSING SHEET
5	1252902	ADJUSTMENT RING
6	1009006	COARSE-FINE LABEL
7	1324906	ADJUSTMENT RING PIN M5
8	1251925	UPPER BURRS HOLDER
9	1251190	GRINDING BURRS PAIR MAZZER RH
9	1251915	GRINDING BURRS MAZZER (PAIR) RH
10	1251926	LOWER BURRS HOLDER
11	1063008	BEARING CAP $\varnothing$ 52 mm
12	1240927	MOTOR ROTATION LABEL
14	1009007	CAUTION-HOPPER LABEL
15	3063005	BEARING 6202 2RS
16	1250065	GRINDING CONTROL SPRING
17	1252066	LABEL 4M MAZZER
18	1186906	AER-STOP GASKET
22	1009008	CAUTION-FIRE LABEL
23	1446900	TIMER 50 SECONDS 16A 250V
24	1446902	TIMER LABEL
25	1446903	TIMER KNOB
26	1057904	SELECTOR SWITCH 0-1- POSITIONS 20A 690V
27	1252067	LABEL FOR SELECTOR SWITCH 0-1 POSITIONS
28	1241542	BLACK KNOB FOR CONVERTER
29	1319902	BLACK BIPOLAR SWITCH 16A 250V
31	1252082	FILTER HOLDER FORK
32	1221901	GREEN INDICATOR LAMP 230/400V
34	1252439	COFFEE COLLECTING TRAY
34	1252440	COFFEE COLLECTING TRAY
35	1240929	ROTOR MINI-LUX
39	3068010	CAPACITOR $\mu$ F 6.3 450V 50/60Hz
43	3446556	CONTACTOR LOVATO BG0910A
45	1313903	FOOT ASSEMBLY
48	1252099	"DANGER" LABEL
51	1252086	DOSER LID $\varnothing$ 125 mm
52	1090021	DOSER CYLINDER $\varnothing$ 120x70 mm
53	1241909	SMALL CONTROL HANDLE
54	1343066	TOP STAR
55	1252088	CLOSING SECTOR
56	1343902	STAR (FEMALE)
57	1252089	DOSER PRESSURE SPRING
58	1343903	STAR (MALE)
59	1240941	UPPER MICROSWITCH ASSEMBLY
61	1385901	COFFEE TAMPER $\varnothing$ 53 mm
61	1385902	COFFEE TAMPER $\varnothing$ 54.5 mm
61	1385903	COFFEE TAMPER $\varnothing$ 58 mm
62	1252091	COMPENSATION RING $\varnothing$ 32 mm
63	1252092	PAWL FOR COFFEE GRINDER/DOSER
64	1252093	DOSING ADJUSTMENT SCREW
65	1250921	LOWER MICRORELEASE SPRING
66	1343904	LOWER MICROSWITCH STAR
67	1240942	MICROSWITCH 12A 250 V
68	1252094	COUNTER FOR COFFEE GRINDER
69	1250922	DOSER LEVER RETURN SPRING
70	1252095	DOSER RETAINER
72	1250923	RETAINER SPRING
73	1252096	DOSER LEVER
74	1252097	DOSER LEVER ASSEMBLY
75	1252442	COFFEE OUTLET PROTECTION
77	1252098	DOSER WASHER
78	1343905	LOWER MICROSWITCH STAR SPACER
79	1252099	"DANGER" LABEL
82	1343907	STAR WITH ADJUSTMENT KNOB



## GRINDER ASSEMBLY LUX

LUX



MZ0111



# MAZZER



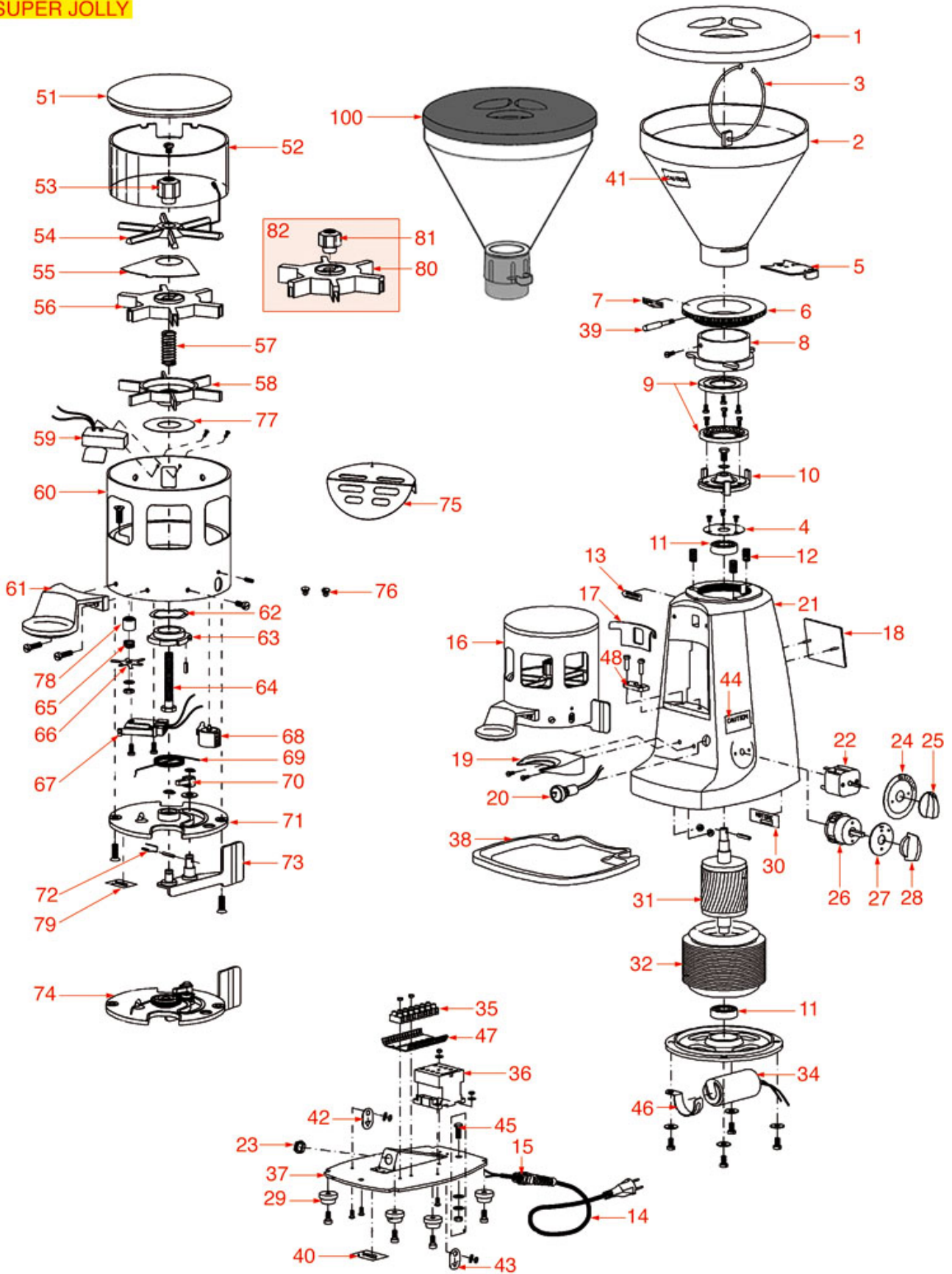
Position	LF code no.	Description
1	1252061	COFFEE HOPPER LID ø 210 mm
2	1080915	COFFEE HOPPER
4	1063008	BEARING CAP ø 52 mm
5	1252063	COFFEE HOPPER CLOSING SHEET
6	1252902	ADJUSTMENT RING
7	1009006	COARSE-FINE LABEL
11	3063005	BEARING 6202 2RS
12	1250065	GRINDING CONTROL SPRING
13	1240927	MOTOR ROTATION LABEL
17	1186906	AER-STOP GASKET
18	1252066	LABEL 4M MAZZER
19	1252082	FILTER HOLDER FORK
20	1221901	GREEN INDICATOR LAMP 230/400V
22	1446900	TIMER 50 SECONDS 16A 250V
24	1446902	TIMER LABEL
25	1446903	TIMER KNOB
26	1057904	SELECTOR SWITCH 0-1- POSITIONS 20A 690V
27	1252067	LABEL FOR SELECTOR SWITCH 0-1 POSITIONS
28	1241542	BLACK KNOB FOR CONVERTER
29	1313903	FOOT ASSEMBLY
31	1240929	ROTOR MINI-LUX
33	1319902	BLACK BIPOLAR SWITCH 16A 250V
34	3068010	CAPACITOR µF 6.3 450V 50/60Hz
38	1252439	COFFEE COLLECTING TRAY
39	1324906	ADJUSTMENT RING PIN M5
40	1252099	"DANGER" LABEL
41	1009007	CAUTION-HOPPER LABEL
44	1009008	CAUTION-FIRE LABEL
51	1252086	DOSER LID ø 125 mm
52	1090021	DOSER CYLINDER ø 120x70 mm
53	1241909	SMALL CONTROL HANDLE
54	1343066	TOP STAR
55	1252088	CLOSING SECTOR
56	1343902	STAR (FEMALE)
57	1252089	DOSER PRESSURE SPRING
58	1343903	STAR (MALE)
59	1240941	UPPER MICROSWITCH ASSEMBLY
61	1385901	COFFEE TAMPER ø 53 mm
61	1385902	COFFEE TAMPER ø 54.5 mm
61	1385903	COFFEE TAMPER ø 58 mm
62	1252091	COMPENSATION RING ø 32 mm
63	1252092	PAWL FOR COFFEE GRINDER/DOSER
64	1252093	DOSING ADJUSTMENT SCREW
65	1250921	LOWER MICRORELEASE SPRING
66	1343904	LOWER MICROSWITCH STAR
67	1240942	MICROSWITCH 12A 250 V
68	1252094	COUNTER FOR COFFEE GRINDER
69	1250922	DOSER LEVER RETURN SPRING
70	1252095	DOSER RETAINER
72	1250923	RETAINER SPRING
73	1252096	DOSER LEVER
74	1252097	DOSER LEVER ASSEMBLY
75	1252442	COFFEE OUTLET PROTECTION
77	1252098	DOSER WASHER
78	1343905	LOWER MICROSWITCH STAR SPACER
79	1252099	"DANGER" LABEL
82	1343907	STAR WITH ADJUSTMENT KNOB





## GRINDER ASSEMBLY SUPER JOLLY

### SUPER JOLLY





# MAZZER

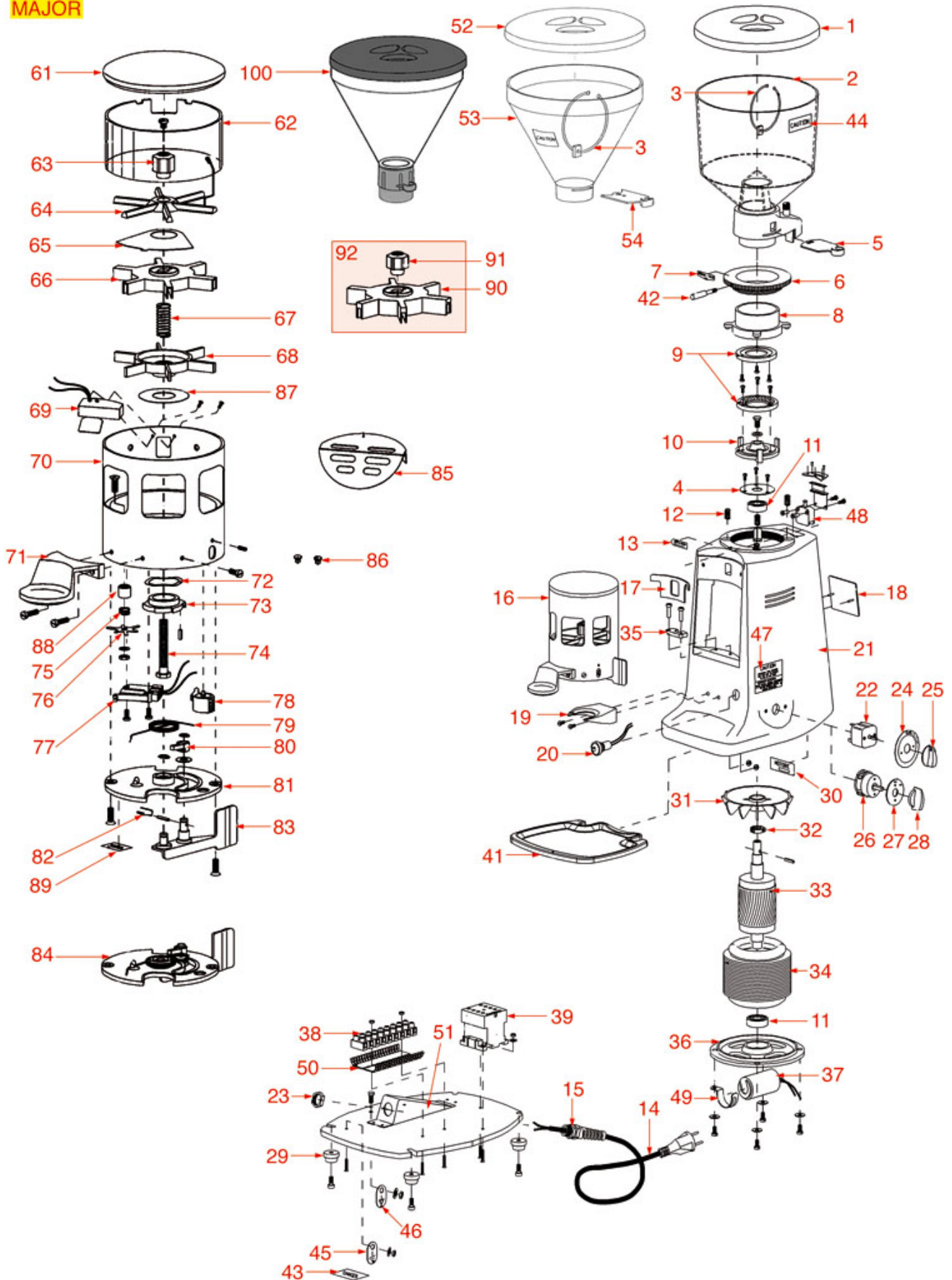


Pos.	LF code no.	Description	Pos.	LF code no.	Description
1	1252061	COFFEE HOPPER LID ø 210 mm	74	1252097	DOSER LEVER ASSEMBLY
2	1080915	COFFEE HOPPER	75	1252443	COFFEE OUTLET PROTECTION
4	1063008	BEARING CAP ø 52 mm	77	1252098	DOSER WASHER
5	1252063	COFFEE HOPPER CLOSING SHEET	78	1343905	LOWER MICROSWITCH STAR SPACER
6	1252902	ADJUSTMENT RING	79	1252099	"DANGER" LABEL
7	1009006	COARSE-FINE LABEL	82	1343907	STAR WITH ADJUSTMENT KNOB
8	1251920	UPPER BURRS HOLDER	100	1080079	COMPLETE COFFEE HOPPER
9	1251056	GRIND.BURRS MAZZER (PAIR) RH THREE-PH.			
9	1251700	GRINDING BURRS (PAIR) MAZZER 1-PHASE RH			
9	1251929	SINGLE-PH. GRINDING BURRS PAIR MAZZER RH			
9	1251930	GRIND.BURRS MAZZER (PAIR) RH THREE-PH.			
9	1251935	GRIND.BURRS MAZZER (PAIR) RH SINGLE-PH.			
10	1251921	LOWER BURRS HOLDER			
11	3063005	BEARING 6202 2RS			
12	1250065	GRINDING CONTROL SPRING			
13	1240927	MOTOR ROTATION LABEL			
17	1186906	AER-STOP GASKET			
18	1252066	LABEL 4M MAZZER			
19	1252082	FILTER HOLDER FORK			
20	1221901	GREEN INDICATOR LAMP 230/400V			
22	1446900	TIMER 50 SECONDS 16A 250V			
22	1446901	THREE-POLAR TIMER 50 SECONDS			
24	1446902	TIMER LABEL			
25	1446903	TIMER KNOB			
26	1057902	SELECTOR SWITCH 0-1 POSITIONS 25A 690V			
26	1057903	SELECTOR SWITCH 0-1-START POSITIONS 20A			
26	1057904	SELECTOR SWITCH 0-1- POSITIONS 20A 690V			
26	1319001	SELECTOR SWITCH 0-1 POSITIONS 20A 290V			
27	1252067	LABEL FOR SELECTOR SWITCH 0-1 POSITIONS			
28	1241542	BLACK KNOB FOR CONVERTER			
29	1313903	FOOT ASSEMBLY			
31	1240922	ROTOR SUPER JOLLY			
32	1240917	WOUND STATOR 230/400V 50Hz			
32	1240918	WOUND STATOR 220/240V 50Hz			
34	3068014	CAPACITOR µF 8 450V 50/60Hz			
34	3068016	CAPACITOR µF 10 450V 50/60Hz			
36	1454902	CONTACTOR LOVATO BG0910A			
36	3446556	CONTACTOR LOVATO BG0910A			
38	1252900	GROUNDS TRAY			
39	1324906	ADJUSTMENT RING PIN M5			
40	1252099	"DANGER" LABEL			
41	1009007	CAUTION-HOPPER LABEL			
44	1009008	CAUTION-FIRE LABEL			
51	1252086	DOSER LID ø 125 mm			
52	1252087	DOSER CYLINDER ø 120x68 mm			
53	1241909	SMALL CONTROL HANDLE			
54	1343010	UPPER STAR WITH PIN			
55	1252088	CLOSING SECTOR			
56	1343902	STAR (FEMALE)			
57	1252089	DOSER PRESSURE SPRING			
58	1343903	STAR (MALE)			
59	1240941	UPPER MICROSWITCH ASSEMBLY			
61	1385901	COFFEE TAMPER ø 53 mm			
61	1385902	COFFEE TAMPER ø 54.5 mm			
61	1385903	COFFEE TAMPER ø 58 mm			
62	1252091	COMPENSATION RING ø 32 mm			
63	1252092	PAWL FOR COFFEE GRINDER/DOSER			
64	1252093	DOSING ADJUSTMENT SCREW			
65	1250921	LOWER MICRORELEASE SPRING			
66	1343904	LOWER MICROSWITCH STAR			
67	1240942	MICROSWITCH 12A 250 V			
68	1252094	COUNTER FOR COFFEE GRINDER			
69	1250922	DOSER LEVER RETURN SPRING			
70	1252095	DOSER RETAINER			
72	1250923	RETAINER SPRING			
73	1252096	DOSER LEVER			



## GRINDER ASSEMBLY MAJOR

### MAJOR







# MAZZER

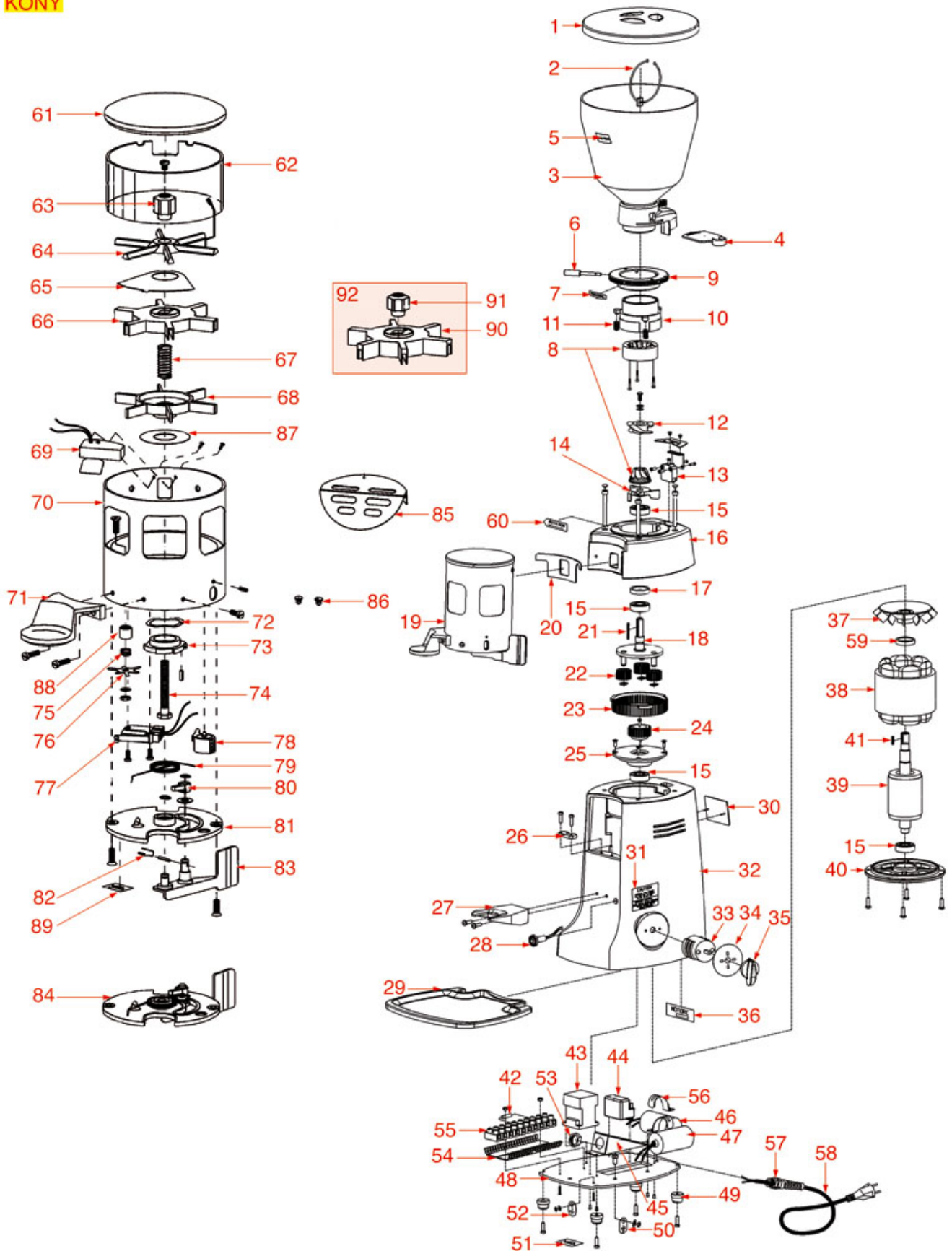


Pos.	LF code no.	Description	Pos.	LF code no.	Description
1	1252061	COFFEE HOPPER LID ø 210 mm	79	1250922	DOSER LEVER RETURN SPRING
2	1080916	COMPLETE COFFEE HOPPER	80	1252095	DOSER RETAINER
4	1063902	BEARING CAP MAJOR	82	1250923	RETAINER SPRING
5	1252081	CLOSING SHEET FOR COFFEE HOPPER	83	1252096	DOSER LEVER
6	1252064	GRINDING ADJUSTMENT RING	84	1252097	DOSER LEVER ASSEMBLY
7	1009006	COARSE-FINE LABEL	85	1252443	COFFEE OUTLET PROTECTION
9	1251118	GRIND.BURRS MAZZER (PAIR) RH SINGLE-PH.	87	1252098	DOSER WASHER
9	1251178	GRIND.BURRS(PAIR) MAZZER 3-PHASE RH	88	1343905	LOWER MICROSWITCH STAR SPACER
9	1251704	GRINDING BURRS (PAIR) MAZZER SINGLE-PH R	89	1252099	"DANGER" LABEL
9	1251927	GRIND.BURRS MAZZER (PAIR) RH SINGLE-PH.	92	1343907	STAR WITH ADJUSTMENT KNOB
9	1251928	GRIND.BURRS MAZZER (PAIR) RH THREE-PH.	100	1080079	COMPLETE COFFEE HOPPER
9	1251933	GRIND.BURRS MAZZER (PAIR) RIGHT THREE-PH			
10	1251919	LOWER BURRS HOLDER			
11	1063901	BEARING 6204 2RS			
12	1250065	GRINDING CONTROL SPRING			
13	1240927	MOTOR ROTATION LABEL			
17	1186906	AER-STOP GASKET			
18	1252066	LABEL 4M MAZZER			
19	1252082	FILTER HOLDER FORK			
20	1221901	GREEN INDICATOR LAMP 230/400V			
22	1446900	TIMER 50 SECONDS 16A 250V			
22	1446901	THREE-POLAR TIMER 50 SECONDS			
24	1446902	TIMER LABEL			
25	1446903	TIMER KNOB			
26	1057902	SELECTOR SWITCH 0-1 POSITIONS 25A 690V			
26	1057903	SELECTOR SWITCH 0-1-START POSITIONS 20A			
26	1057904	SELECTOR SWITCH 0-1- POSITIONS 20A 690V			
26	1319001	SELECTOR SWITCH 0-1 POSITIONS 20A 290V			
27	1252067	LABEL FOR SELECTOR SWITCH 0-1 POSITIONS			
28	1241542	BLACK KNOB FOR CONVERTER			
29	1313903	FOOT ASSEMBLY			
31	1240924	MOTOR FAN			
32	1168907	FAN CLAMP			
33	1240921	ROTOR MAJOR			
37	3068024	CAPACITOR µF 16 450V 50/60Hz			
39	1454902	CONTACTOR LOVATO BG0910A			
39	3446556	CONTACTOR LOVATO BG0910A			
41	1252900	GROUNDS TRAY			
42	1324906	ADJUSTMENT RING PIN M5			
43	1252099	"DANGER" LABEL			
44	1009007	CAUTION-HOPPER LABEL			
47	1009008	CAUTION-FIRE LABEL			
48	1319903	SAFETY SWITCH			
52	1252061	COFFEE HOPPER LID ø 210 mm			
53	1080915	COFFEE HOPPER			
54	1252063	COFFEE HOPPER CLOSING SHEET			
61	1252086	DOSER LID ø 125 mm			
62	1252103	DOSER CYLINDER			
63	1241909	SMALL CONTROL HANDLE			
64	1343010	UPPER STAR WITH PIN			
65	1252088	CLOSING SECTOR			
66	1343902	STAR (FEMALE)			
67	1252089	DOSER PRESSURE SPRING			
68	1343903	STAR (MALE)			
69	1240941	UPPER MICROSWITCH ASSEMBLY			
70	1252090	DOSER CYLINDER ø 122x182 mm			
71	1385901	COFFEE TAMPER ø 53 mm			
71	1385902	COFFEE TAMPER ø 54.5 mm			
71	1385903	COFFEE TAMPER ø 58 mm			
72	1252091	COMPENSATION RING ø 32 mm			
73	1252092	PAWL FOR COFFEE GRINDER/DOSER			
74	1252093	DOSING ADJUSTMENT SCREW			
75	1250921	LOWER MICRORELEASE SPRING			
76	1343904	LOWER MICROSWITCH STAR			
77	1240942	MICROSWITCH 12A 250 V			
78	1252094	COUNTER FOR COFFEE GRINDER			



## GRINDER ASSEMBLY KONY

**KONY**



MZ0401



# MAZZER



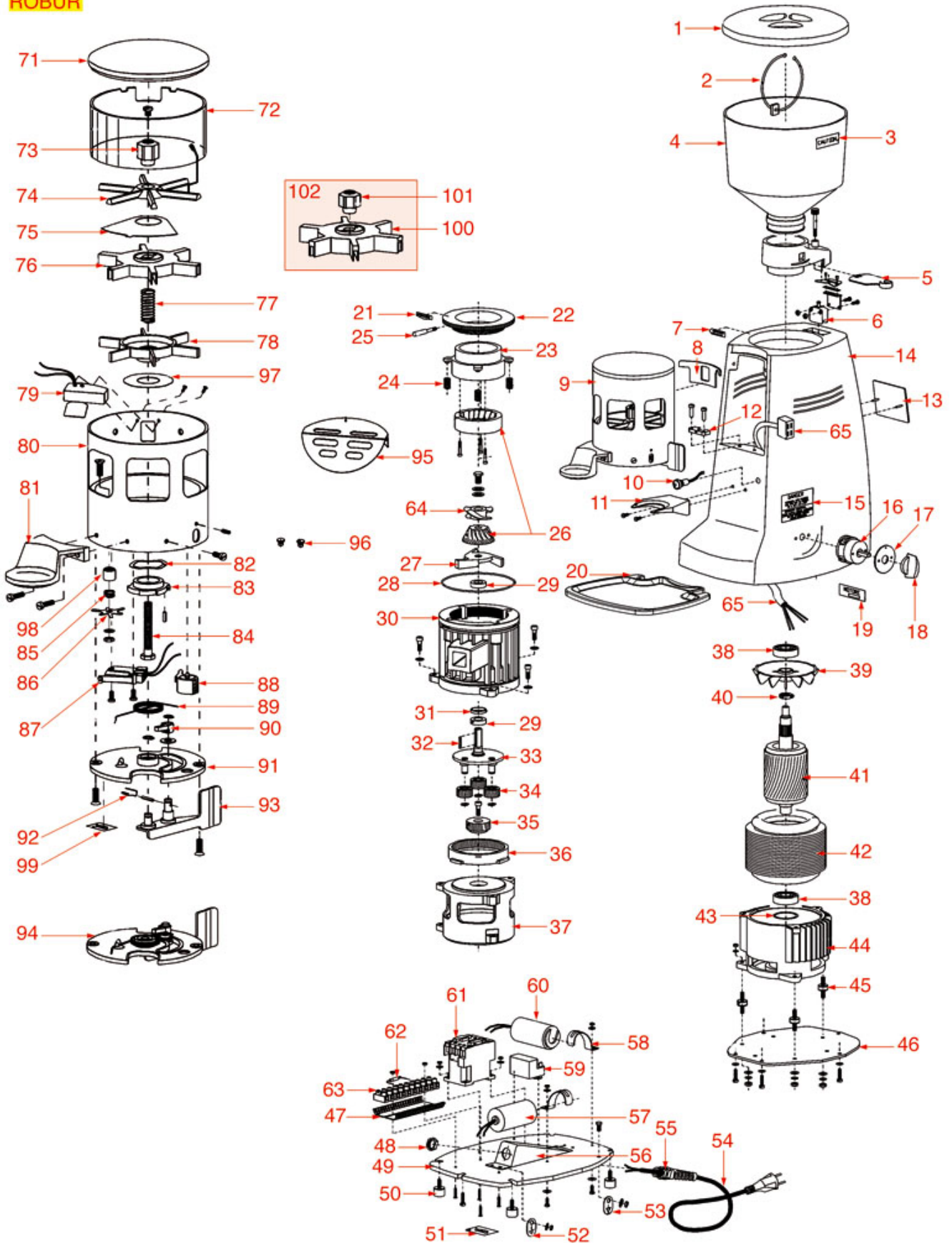
Position	LF code no.	Description
1	1252061	COFFEE HOPPER LID $\varnothing$ 210 mm
3	1080027	COFFEE HOPPER
4	1252081	CLOSING SHEET FOR COFFEE HOPPER
5	1009007	CAUTION-HOPPER LABEL
6	1324906	ADJUSTMENT RING PIN M5
7	1009006	COARSE-FINE LABEL
8	1251020	CON.GR.BURRS MAZZER (PAIR) RH SINGLE-PH.
8	1251026	CON.GR.BURRS MAZZER (PAIR) RH THREE-PH.
8	1251179	GRIND.BURRS(PAIR) MAZZER 1-PHASE CON.RH
8	1251180	GRIND.BURRS(PAIR) MAZZER 3-PHASE CON.RH
9	1252902	ADJUSTMENT RING
11	1250065	GRINDING CONTROL SPRING
13	1319903	SAFETY SWITCH
14	1251027	GRINDING BURRS BOTTOM HOLDER SINGLE-PH.
15	3063005	BEARING 6202 2RS
17	1252449	SPACER $\varnothing$ 20x15x4 mm
18	1252450	3-PHASE SHAFT WITH 3 PINS
20	1186906	AER-STOP GASKET
22	1212007	REDUCTION GEAR $\varnothing$ 28 mm 17 TEETH
23	1212008	REDUCTION GEAR $\varnothing$ 100
24	1212009	REDUCTION GEAR $\varnothing$ 41 mm 25 TEETH
27	1252082	FILTER HOLDER FORK
28	1221901	GREEN INDICATOR LAMP 230/400V
29	1252900	GRINDS TRAY
30	1252066	LABEL 4M MAZZER
33	1057903	SELECTOR SWITCH 0-1-START POSITIONS 20A
33	1057904	SELECTOR SWITCH 0-1- POSITIONS 20A 690V
38	1240917	WOUND STATOR 230/400V 50Hz
38	1240918	WOUND STATOR 220/240V 50Hz
39	1240922	ROTOR SUPER JOLLY
43	1454902	CONTACTOR LOVATO BG0910A
43	3446556	CONTACTOR LOVATO BG0910A
44	1252904	CIRCUIT INTERRUPTER 4CR-1-670
46	3068016	CAPACITOR $\mu$ F 10 450V 50/60Hz
49	1313903	FOOT ASSEMBLY
51	1252099	"DANGER" LABEL
60	1240927	MOTOR ROTATION LABEL
61	1252086	DOSER LID $\varnothing$ 125 mm
62	1252087	DOSER CYLINDER $\varnothing$ 120x68 mm
63	1241909	SMALL CONTROL HANDLE
64	1343010	UPPER STAR WITH PIN
65	1252088	CLOSING SECTOR
66	1343902	STAR (FEMALE)
67	1252089	DOSER PRESSURE SPRING
68	1343903	STAR (MALE)
69	1240941	UPPER MICROSWITCH ASSEMBLY
71	1385901	COFFEE TAMPER $\varnothing$ 53 mm
71	1385902	COFFEE TAMPER $\varnothing$ 54.5 mm
71	1385903	COFFEE TAMPER $\varnothing$ 58 mm
72	1252091	COMPENSATION RING $\varnothing$ 32 mm
73	1252092	PAWL FOR COFFEE GRINDER/DOSER
74	1252093	DOSING ADJUSTMENT SCREW
75	1250921	LOWER MICRORELEASE SPRING
76	1343904	LOWER MICROSWITCH STAR
77	1240942	MICROSWITCH 12A 250 V
78	1252094	COUNTER FOR COFFEE GRINDER
79	1250922	DOSER LEVER RETURN SPRING
80	1252095	DOSER RETAINER
82	1250923	RETAINER SPRING
83	1252096	DOSER LEVER
84	1252097	DOSER LEVER ASSEMBLY
85	1252443	COFFEE OUTLET PROTECTION
87	1252098	DOSER WASHER
88	1343905	LOWER MICROSWITCH STAR SPACER
89	1252099	"DANGER" LABEL
92	1343907	STAR WITH ADJUSTMENT KNOB





## GRINDER ASSEMBLY ROBUR

### ROBUR



MZ0501



# MAZZER

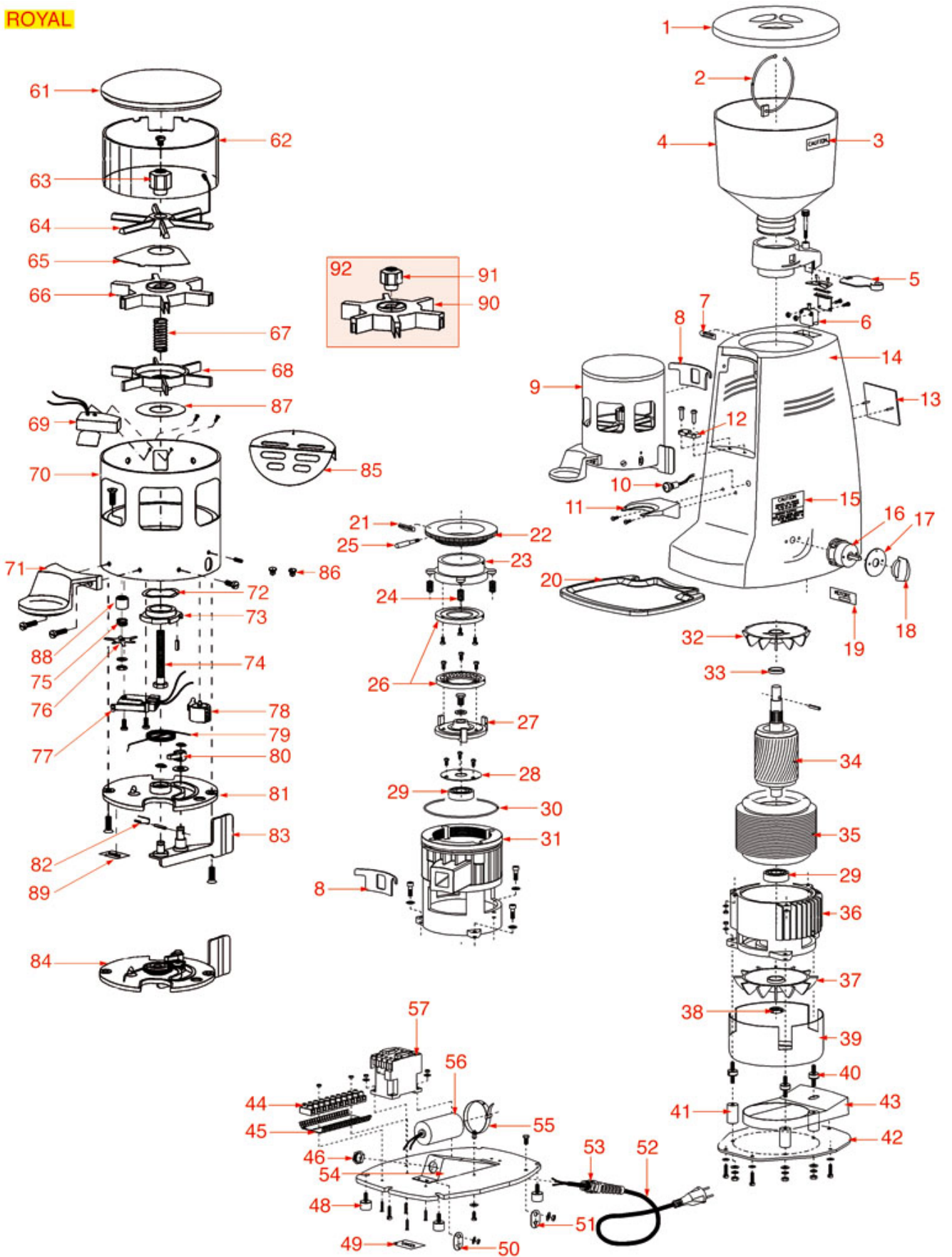


Pos.	LF code no.	Description	Pos.	LF code no.	Description
1	1252061	COFFEE HOPPER LID ø 210 mm	92	1250923	RETAINER SPRING
3	1009007	CAUTION-HOPPER LABEL	93	1252096	DOSER LEVER
4	1080916	COMPLETE COFFEE HOPPER	94	1252097	DOSER LEVER ASSEMBLY
5	1252081	CLOSING SHEET FOR COFFEE HOPPER	95	1252443	COFFEE OUTLET PROTECTION
6	1319903	SAFETY SWITCH	97	1252098	DOSER WASHER
7	1240927	MOTOR ROTATION LABEL	98	1343905	LOWER MICROSWITCH STAR SPACER
8	1186906	AER-STOP GASKET	99	1252099	"DANGER" LABEL
10	1221901	GREEN INDICATOR LAMP 230/400V	102	1343907	STAR WITH ADJUSTMENT KNOB
11	1252082	FILTER HOLDER FORK			
13	1252066	LABEL 4M MAZZER			
16	1057903	SELECTOR SWITCH 0-1-START POSITIONS 20A			
16	1057904	SELECTOR SWITCH 0-1- POSITIONS 20A 690V			
18	1241542	BLACK KNOB FOR CONVERTER			
20	1252900	GROUNDS TRAY			
21	1009006	COARSE-FINE LABEL			
22	1252064	GRINDING ADJUSTMENT RING			
23	1251923	GRINDING BURRS TOP HOLDER			
24	1250065	GRINDING CONTROL SPRING			
25	1324906	ADJUSTMENT RING PIN M5			
26	1251181	GRIND.BURRS(PAIR) 1-PHASE MAZZER CON.RH			
26	1251182	GRIND.BURRS(PAIR) 3-PHASE MAZZER CON.RH			
26	1251705	GRINDING BURRS (PAIR) MAZZER 3-PHASE RH			
26	1251913	CON.GR.BURRS MAZZER (PAIR) RH THREE-PH.			
26	1251914	CON.GR.BURRS MAZZER (PAIR) RH SINGLE-PH.			
27	1251924	LOWER BURRS HOLDER			
29	3063005	BEARING 6202 2RS			
31	1252449	SPACER ø 20x15x4 mm			
33	1252450	3-PHASE SHAFT WITH 3 PINS			
34	1212007	REDUCTION GEAR ø 28 mm 17 TEETH			
35	1212009	REDUCTION GEAR ø 41 mm 25 TEETH			
36	1212008	REDUCTION GEAR ø 100			
38	1063901	BEARING 6204 2RS			
39	1240924	MOTOR FAN			
40	1168907	FAN CLAMP			
50	1313904	FOOT ø 20x16 mm M6			
51	1252099	"DANGER" LABEL			
57	3068024	CAPACITOR µF 16 450V 50/60Hz			
59	1252904	CIRCUIT INTERRUPTER 4CR-1-670			
59	1252905	CIRCUIT INTERRUPTER 4CR1-681			
60	3068024	CAPACITOR µF 16 450V 50/60Hz			
60	3068027	CAPACITOR µF 20 450V 50/60Hz			
61	1454905	CONTACTOR LOVATO BF1610			
61	3446582	CONTACTOR LOVATO BF1810A			
62	1755900	HEATING ELEMENT 220 K Ohm 2W			
71	1252086	DOSER LID ø 125 mm			
72	1252103	DOSER CYLINDER			
73	1241909	SMALL CONTROL HANDLE			
74	1343901	COFFEE STIRRING STAR WITH ROD			
75	1252088	CLOSING SECTOR			
76	1343902	STAR (FEMALE)			
77	1252089	DOSER PRESSURE SPRING			
78	1343903	STAR (MALE)			
79	1240941	UPPER MICROSWITCH ASSEMBLY			
80	1252090	DOSER CYLINDER ø 122x182 mm			
81	1385901	COFFEE TAMPER ø 53 mm			
81	1385902	COFFEE TAMPER ø 54.5 mm			
81	1385903	COFFEE TAMPER ø 58 mm			
82	1252091	COMPENSATION RING ø 32 mm			
83	1252092	PAWL FOR COFFEE GRINDER/DOSER			
84	1252093	DOSING ADJUSTMENT SCREW			
85	1250921	LOWER MICRORELEASE SPRING			
86	1343904	LOWER MICROSWITCH STAR			
87	1240942	MICROSWITCH 12A 250 V			
88	1252094	COUNTER FOR COFFEE GRINDER			
89	1250922	DOSER LEVER RETURN SPRING			
90	1252095	DOSER RETAINER			



## GRINDER ASSEMBLY ROYAL

**ROYAL**



MZ0601

Positions without LF code no.: upon request





# MAZZER

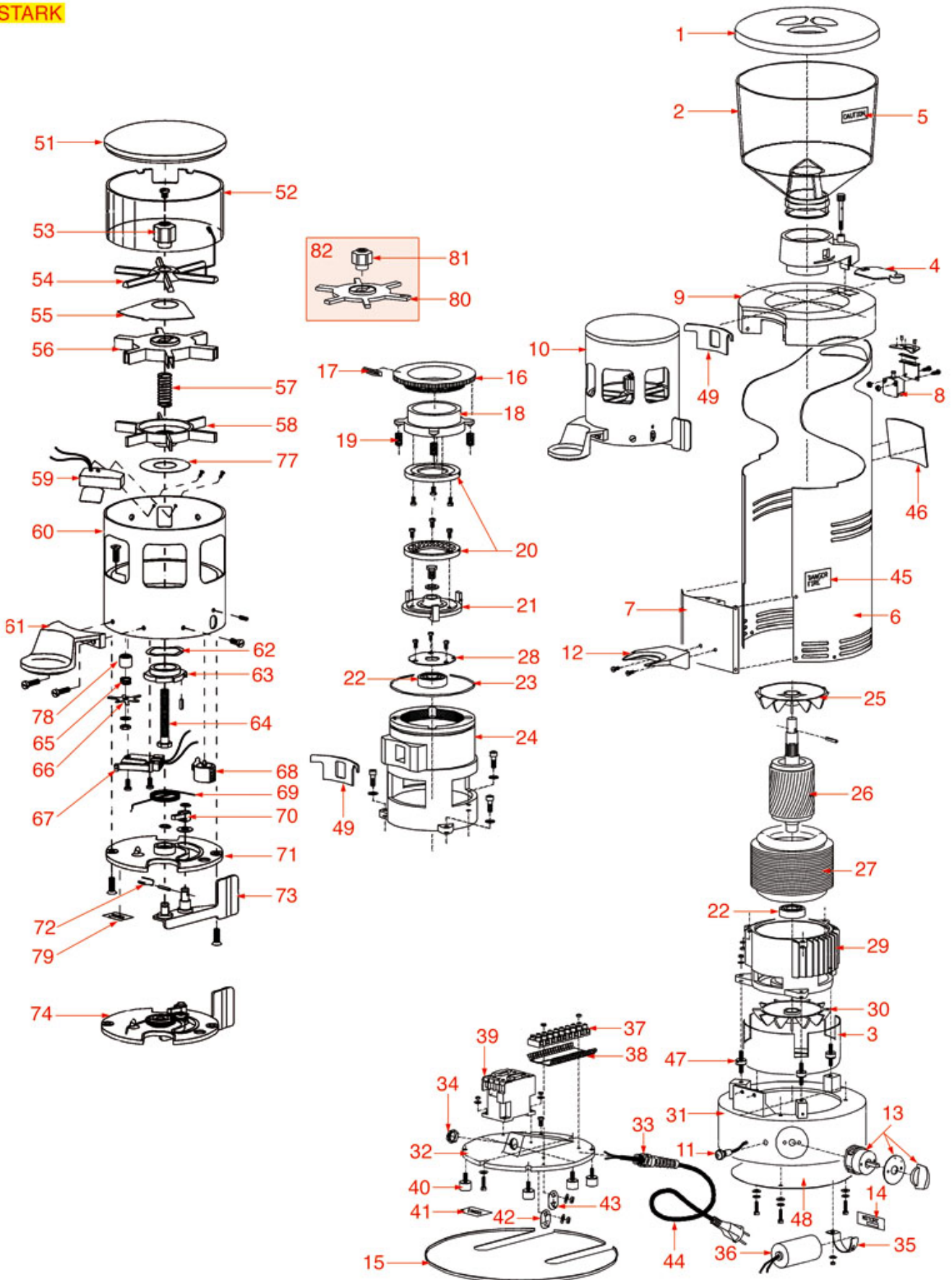


Position	LF code no.	Description
1	1252061	COFFEE HOPPER LID $\varnothing$ 210 mm
3	1009007	CAUTION-HOPPER LABEL
4	1080916	COMPLETE COFFEE HOPPER
5	1252081	CLOSING SHEET FOR COFFEE HOPPER
6	1319903	SAFETY SWITCH
7	1240927	MOTOR ROTATION LABEL
8	1186906	AER-STOP GASKET
10	1221901	GREEN INDICATOR LAMP 230/400V
11	1252082	FILTER HOLDER FORK
13	1252066	LABEL 4M MAZZER
16	1057903	SELECTOR SWITCH 0-1-START POSITIONS 20A
16	1057904	SELECTOR SWITCH 0-1- POSITIONS 20A 690V
18	1241542	BLACK KNOB FOR CONVERTER
20	1252900	GROUNDS TRAY
21	1009006	COARSE-FINE LABEL
22	1252064	GRINDING ADJUSTMENT RING
24	1250065	GRINDING CONTROL SPRING
25	1324906	ADJUSTMENT RING PIN M5
26	1251178	GRIND.BURRS(PAIR) MAZZER 3-PHASE RH
26	1251928	GRIND.BURRS MAZZER (PAIR) RH THREE-PH.
26	1251933	GRIND.BURRS MAZZER (PAIR) RIGHT THREE-PH
27	1251919	LOWER BURRS HOLDER
28	1063902	BEARING CAP MAJOR
29	1063901	BEARING 6204 2RS
32	1240924	MOTOR FAN
38	1168907	FAN CLAMP
48	1313904	FOOT $\varnothing$ 20x16 mm M6
49	1252099	"DANGER" LABEL
56	3068024	CAPACITOR $\mu$ F 16 450V 50/60Hz
57	1454905	CONTACTOR LOVATO BF1610
57	3446582	CONTACTOR LOVATO BF1810A
61	1252086	DOSER LID $\varnothing$ 125 mm
62	1252103	DOSER CYLINDER
63	1241909	SMALL CONTROL HANDLE
64	1343901	COFFEE STIRRING STAR WITH ROD
65	1252088	CLOSING SECTOR
66	1343902	STAR (FEMALE)
67	1252089	DOSER PRESSURE SPRING
68	1343903	STAR (MALE)
69	1240941	UPPER MICROSWITCH ASSEMBLY
70	1252090	DOSER CYLINDER $\varnothing$ 122x182 mm
71	1385901	COFFEE TAMPER $\varnothing$ 53 mm
71	1385902	COFFEE TAMPER $\varnothing$ 54.5 mm
71	1385903	COFFEE TAMPER $\varnothing$ 58 mm
72	1252091	COMPENSATION RING $\varnothing$ 32 mm
73	1252092	PAWL FOR COFFEE GRINDER/DOSER
74	1252093	DOSING ADJUSTMENT SCREW
75	1250921	LOWER MICRORELEASE SPRING
76	1343904	LOWER MICROSWITCH STAR
77	1240942	MICROSWITCH 12A 250 V
78	1252094	COUNTER FOR COFFEE GRINDER
79	1250922	DOSER LEVER RETURN SPRING
80	1252095	DOSER RETAINER
82	1250923	RETAINER SPRING
83	1252096	DOSER LEVER
84	1252097	DOSER LEVER ASSEMBLY
85	1252443	COFFEE OUTLET PROTECTION
87	1252098	DOSER WASHER
88	1343905	LOWER MICROSWITCH STAR SPACER
89	1252099	"DANGER" LABEL
92	1343907	STAR WITH ADJUSTMENT KNOB



## GRINDER ASSEMBLY STARK

**STARK**



MZ0701



# MAZZER

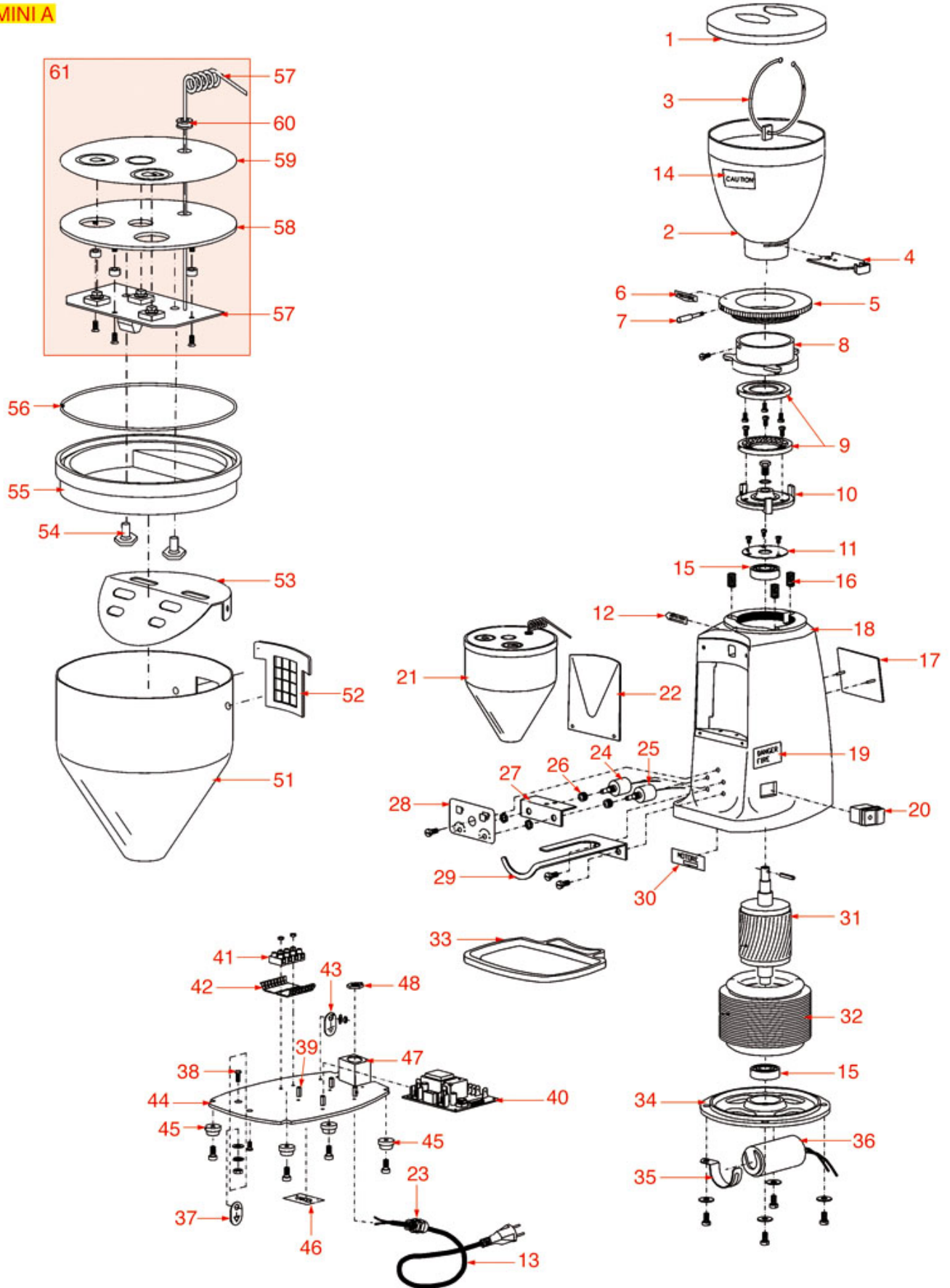


Position	LF code no.	Description
1	1252061	COFFEE HOPPER LID ø 210 mm
2	1080916	COMPLETE COFFEE HOPPER
4	1252081	CLOSING SHEET FOR COFFEE HOPPER
5	1009007	CAUTION-HOPPER LABEL
8	1319903	SAFETY SWITCH
10	1090904	AUTOMATIC DOSER GROUP
11	1221901	GREEN INDICATOR LAMP 230/400V
12	1252082	FILTER HOLDER FORK
13	1057903	SELECTOR SWITCH 0-1-START POSITIONS 20A
13	1057904	SELECTOR SWITCH 0-1- POSITIONS 20A 690V
13	1241542	BLACK KNOB FOR CONVERTER
16	1252064	GRINDING ADJUSTMENT RING
17	1009006	COARSE-FINE LABEL
19	1250065	GRINDING CONTROL SPRING
20	1251178	GRIND.BURRS(PAIR) MAZZER 3-PHASE RH
20	1251928	GRIND.BURRS MAZZER (PAIR) RH THREE-PH.
20	1251933	GRIND.BURRS MAZZER (PAIR) RIGHT THREE-PH
21	1251919	LOWER BURRS HOLDER
22	1063901	BEARING 6204 2RS
23	3186466	GASKET O-RING 04475 EPDM
25	1240924	MOTOR FAN
28	1063902	BEARING CAP MAJOR
36	3068024	CAPACITOR µF 16 450V 50/60Hz
39	1454905	CONTACTOR LOVATO BF1610
39	3446582	CONTACTOR LOVATO BF1810A
40	1313904	FOOT ø 20x16 mm M6
41	1252099	"DANGER" LABEL
46	1252066	LABEL 4M MAZZER
47	1252084	VIBRATION DUMPING A18x8.5 M
49	1186906	AER-STOP GASKET
51	1252086	DOSER LID ø 125 mm
52	1252087	DOSER CYLINDER ø 120x68 mm
53	1241909	SMALL CONTROL HANDLE
54	1343901	COFFEE STIRRING STAR WITH ROD
55	1252088	CLOSING SECTOR
56	1343902	STAR (FEMALE)
57	1252089	DOSER PRESSURE SPRING
58	1343903	STAR (MALE)
59	1240941	UPPER MICROSWITCH ASSEMBLY
60	1252090	DOSER CYLINDER ø 122x182 mm
61	1385901	COFFEE TAMPER ø 53 mm
61	1385902	COFFEE TAMPER ø 54.5 mm
61	1385903	COFFEE TAMPER ø 58 mm
62	1252091	COMPENSATION RING ø 32 mm
63	1252092	PAWL FOR COFFEE GRINDER/DOSER
64	1252093	DOSING ADJUSTMENT SCREW
65	1250921	LOWER MICRORELEASE SPRING
66	1343904	LOWER MICROSWITCH STAR
67	1240942	MICROSWITCH 12A 250 V
69	1250922	DOSER LEVER RETURN SPRING
70	1252095	DOSER RETAINER
72	1250923	RETAINER SPRING
73	1252096	DOSER LEVER
74	1252097	DOSER LEVER ASSEMBLY
77	1252098	DOSER WASHER
78	1343905	LOWER MICROSWITCH STAR SPACER
79	1252099	"DANGER" LABEL
82	1343907	STAR WITH ADJUSTMENT KNOB



## COFFEE GRINDER ELECTRONIC MINI A

**MINI A**



MZ0801





# MAZZER

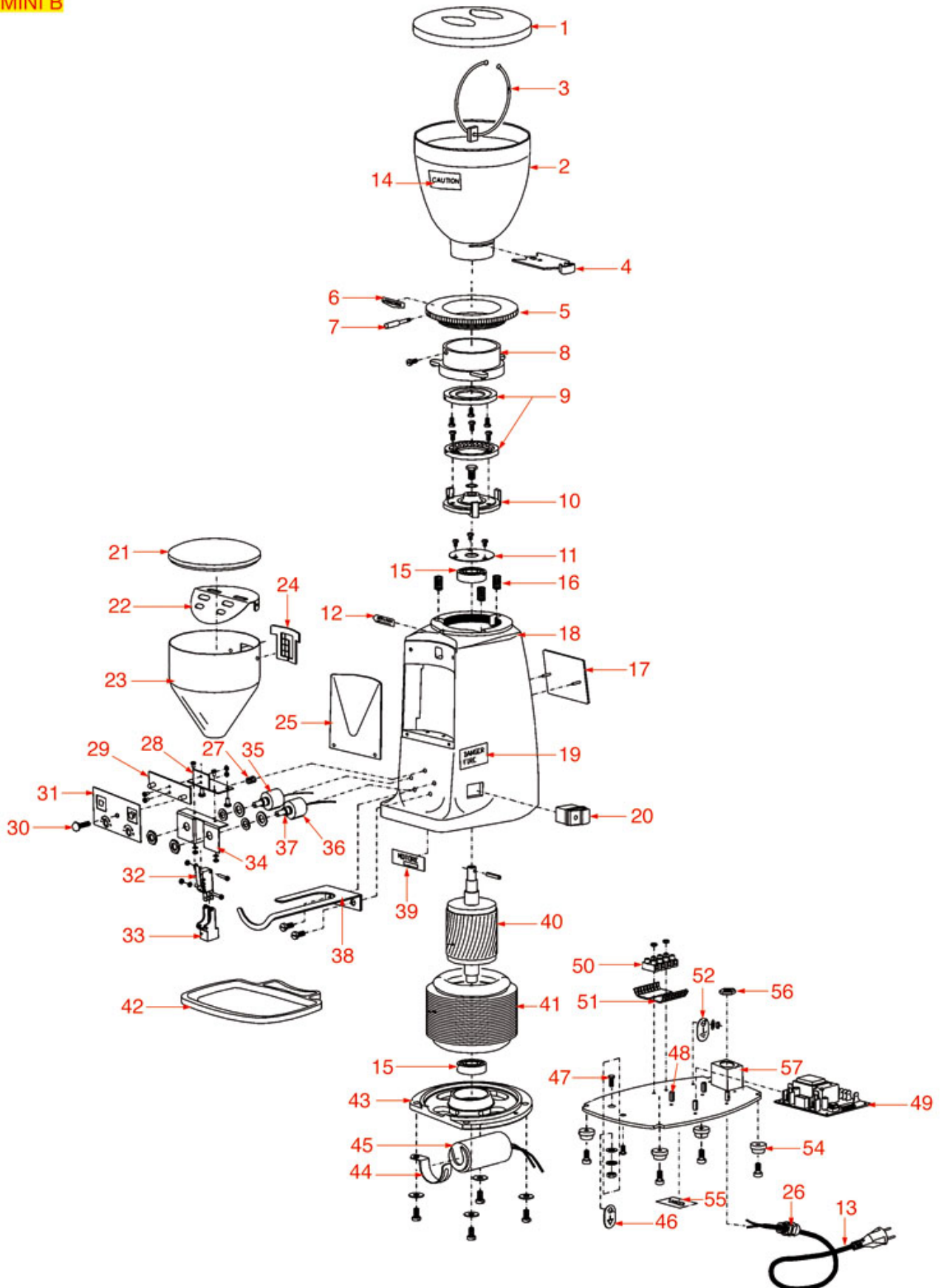


Position	LF code no.	Description
1	1252060	COFFEE HOPPER LID ø 160 mm
2	1080076	COMPLETE COFFEE HOPPER 320 gr
2	1252901	COMPLETE COFFEE CONTAINER
4	1252063	COFFEE HOPPER CLOSING SHEET
5	1252902	ADJUSTMENT RING
6	1009006	COARSE-FINE LABEL
7	1324906	ADJUSTMENT RING PIN M5
9	1251115	GRINDING BURRS MAZZER (PAIR) RH
9	1251215	GRINDING BURRS (PAIR) MAZZER RH
10	1251921	LOWER BURRS HOLDER
11	1063008	BEARING CAP ø 52 mm
12	1240927	MOTOR ROTATION LABEL
14	1009007	CAUTION-HOPPER LABEL
15	3063005	BEARING 6202 2RS
16	1250065	GRINDING CONTROL SPRING
17	1252066	LABEL 4M MAZZER
20	1319902	BLACK BIPOLAR SWITCH 16A 250V
24	1057010	MULTITURN POTENTIOMETER BLACK ACTUAT.
25	1057011	MULTITURN POTENTIOMETER RED ACTUAT.
28	1009009	DOSE ADJUSTMENT LABEL
29	1162011	FILTER-HOLDER FORK
31	1240929	ROTOR MINI-LUX
33	1252440	COFFEE COLLECTING TRAY
40	1390010	TIMER BOARD 230V 50/60Hz
45	1313903	FOOT ASSEMBLY
46	1252099	"DANGER" LABEL
52	1186696	FUNNEL GASKET WITH MESH
53	1252442	COFFEE OUTLET PROTECTION
57	1390015	PUSH-BUTTON BOARD
59	1009010	ADHESIVE DIAPHRAGM ø 120 mm



## COFFEE GRINDER ELECTRONIC MINI B

MINI B



MZ0901



# MAZZER

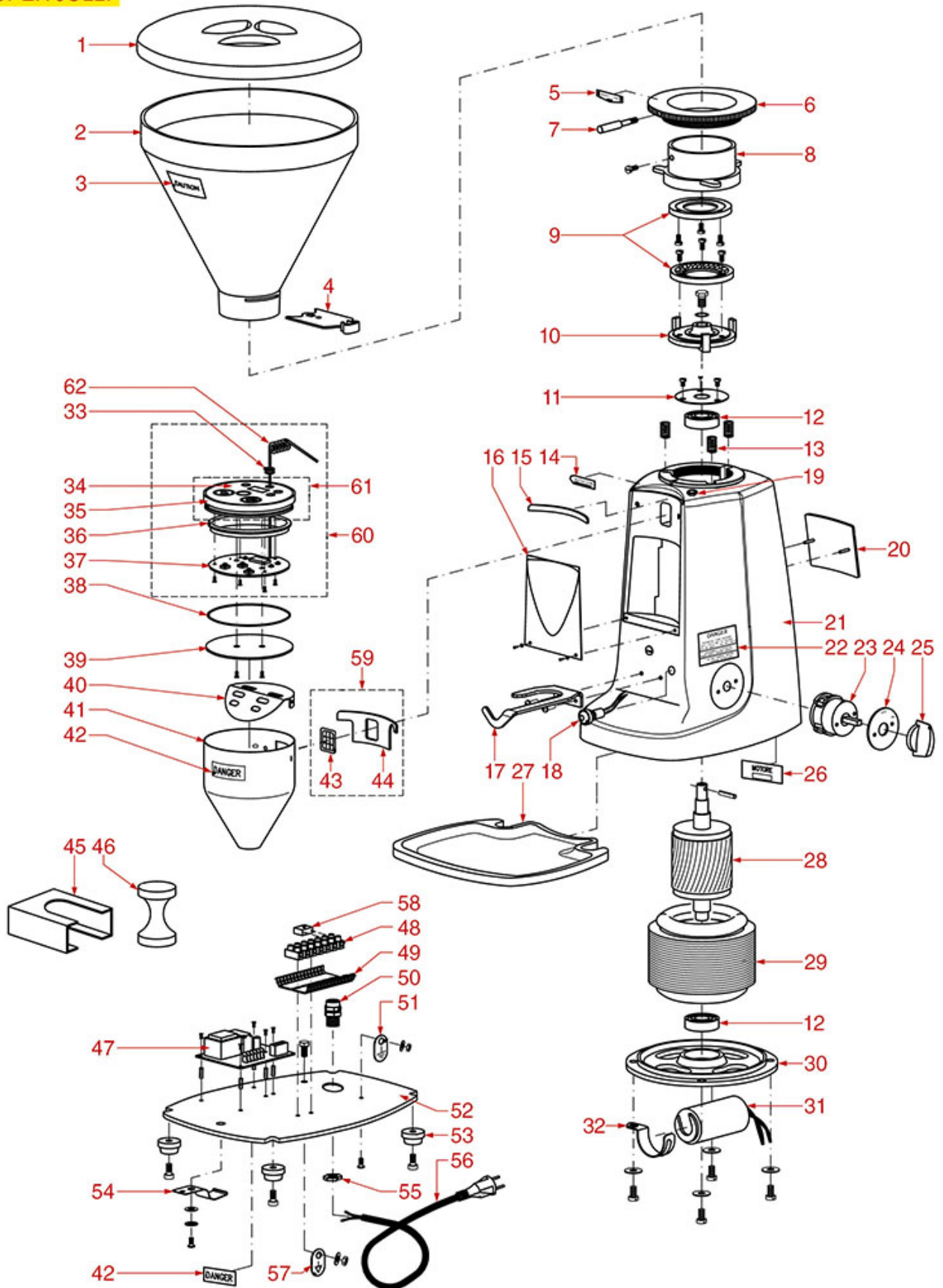


Position	LF code no.	Description
1	1252060	COFFEE HOPPER LID ø 160 mm
2	1080076	COMPLETE COFFEE HOPPER 320 gr
2	1252901	COMPLETE COFFEE CONTAINER
4	1252063	COFFEE HOPPER CLOSING SHEET
5	1252902	ADJUSTMENT RING
6	1009006	COARSE-FINE LABEL
7	1324906	ADJUSTMENT RING PIN M5
9	1251115	GRINDING BURRS MAZZER (PAIR) RH
9	1251215	GRINDING BURRS (PAIR) MAZZER RH
10	1251921	LOWER BURRS HOLDER
11	1063008	BEARING CAP ø 52 mm
12	1240927	MOTOR ROTATION LABEL
14	1009007	CAUTION-HOPPER LABEL
15	3063005	BEARING 6202 2RS
16	1250065	GRINDING CONTROL SPRING
17	1252066	LABEL 4M MAZZER
20	1319902	BLACK BIPOLAR SWITCH 16A 250V
21	1252086	DOSER LID ø 125 mm
22	1252442	COFFEE OUTLET PROTECTION
24	1186696	FUNNEL GASKET WITH MESH
27	1250178	ACTUATION PIN SPRING
29	1390013	LED BOARD
31	1009011	DOSE ADJUSTMENT LABEL
32	1240054	MICROSWITCH 0.1A 250V
35	1057010	MULTITURN POTENTIOMETER BLACK ACTUAT.
36	1057011	MULTITURN POTENTIOMETER RED ACTUAT.
38	1162011	FILTER-HOLDER FORK
40	1240929	ROTOR MINI-LUX
42	1252439	COFFEE COLLECTING TRAY
45	3068010	CAPACITOR µF 6.3 450V 50/60Hz
49	1390011	TIMER BOARD 230V 50/60Hz
54	1313903	FOOT ASSEMBLY
55	1252099	"DANGER" LABEL



## COFFEE GRINDER ELECTRONIC SUPER JOLLY

### SUPER JOLLY







# MAZZER

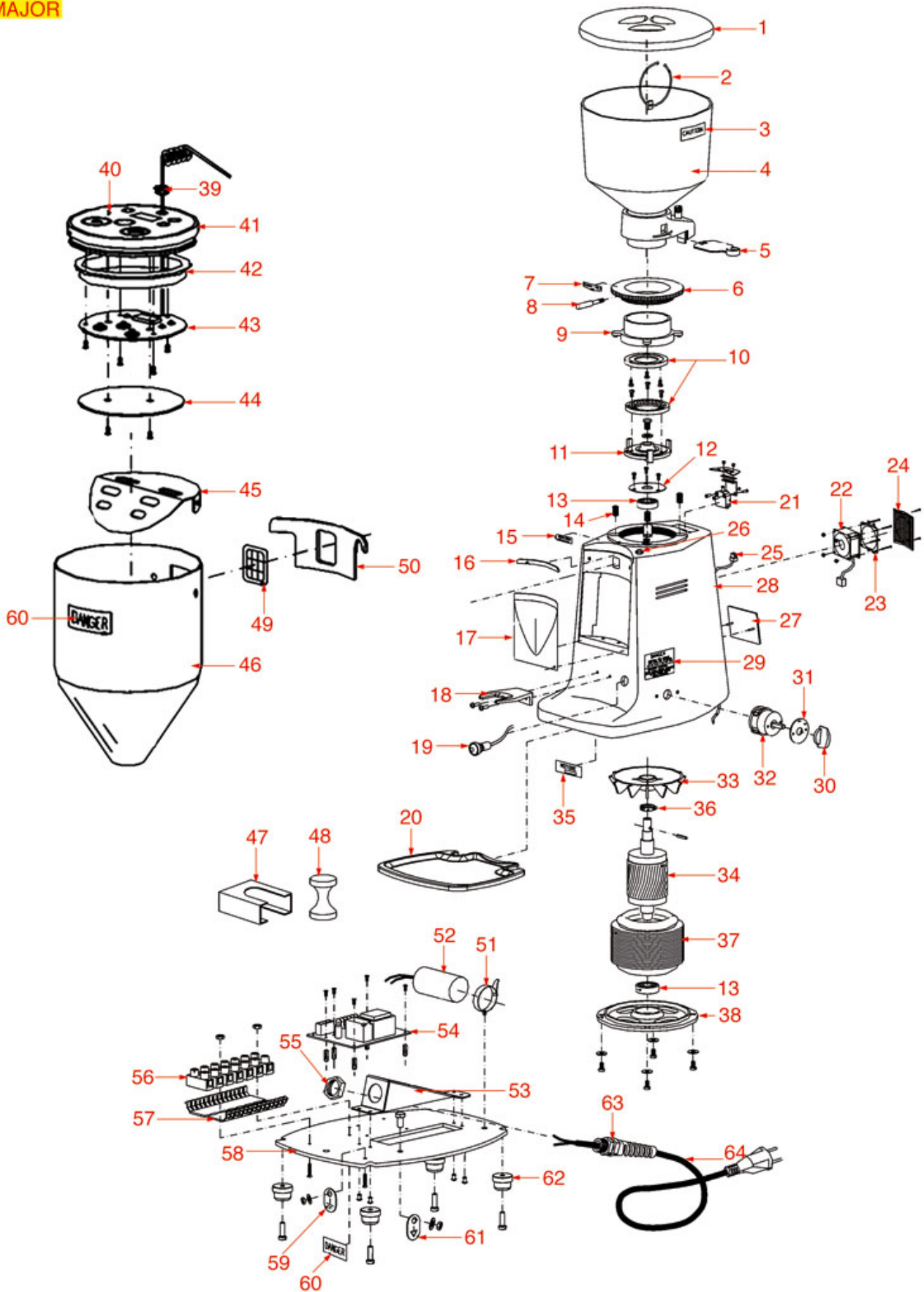


Position	LF code no.	Description
1	1252061	COFFEE HOPPER LID ø 210 mm
2	1080915	COFFEE HOPPER
3	1009007	CAUTION-HOPPER LABEL
4	1252063	COFFEE HOPPER CLOSING SHEET
5	1009006	COARSE-FINE LABEL
6	1252902	ADJUSTMENT RING
7	1324906	ADJUSTMENT RING PIN M5
8	1251920	UPPER BURRS HOLDER
9	1251700	GRINDING BURRS (PAIR) MAZZER 1-PHASE RH
9	1251929	SINGLE-PH. GRINDING BURRS PAIR MAZZER RH
9	1251935	GRIND.BURRS MAZZER (PAIR) RH SINGLE-PH.
10	1251921	LOWER BURRS HOLDER
11	1063008	BEARING CAP ø 52 mm
12	3063005	BEARING 6202 2RS
13	1250065	GRINDING CONTROL SPRING
14	1240927	MOTOR ROTATION LABEL
15	1186697	SPOUT UPPER GASKET
18	1221901	GREEN INDICATOR LAMP 230/400V
20	1252066	LABEL 4M MAZZER
23	1057902	SELECTOR SWITCH 0-1 POSITIONS 25A 690V
27	1252900	GROUNDS TRAY
28	1240922	ROTOR SUPER JOLLY
29	1240918	WOUND STATOR 220/240V 50Hz
31	3068014	CAPACITOR µF 8 450V 50/60Hz
31	3068016	CAPACITOR µF 10 450V 50/60Hz
34	1009012	COMPLETE ADHESIVE DIAPHRAGM ø 120 mm
35	1009012	COMPLETE ADHESIVE DIAPHRAGM ø 120 mm
37	1390014	PUSH-BUTTON BOARD WITH DISPLAY
40	1252443	COFFEE OUTLET PROTECTION
42	1252099	"DANGER" LABEL
43	1252445	COFFEE FLOW-THROUGH MESH 32x38 mm
44	1186906	AER-STOP GASKET
45	1385401	FILTER HOLDER SUPPORT F/MANUAL TAMPER
46	1385400	DOUBLE ALUMINIUM COFFEE TAMPER ø 57/53mm
47	1390012	TIMER BOARD 220/240V
53	1313903	FOOT ASSEMBLY
61	1009012	COMPLETE ADHESIVE DIAPHRAGM ø 120 mm



## COFFEE GRINDER ELECTRONIC MAJOR

**MAJOR**



MZ1001



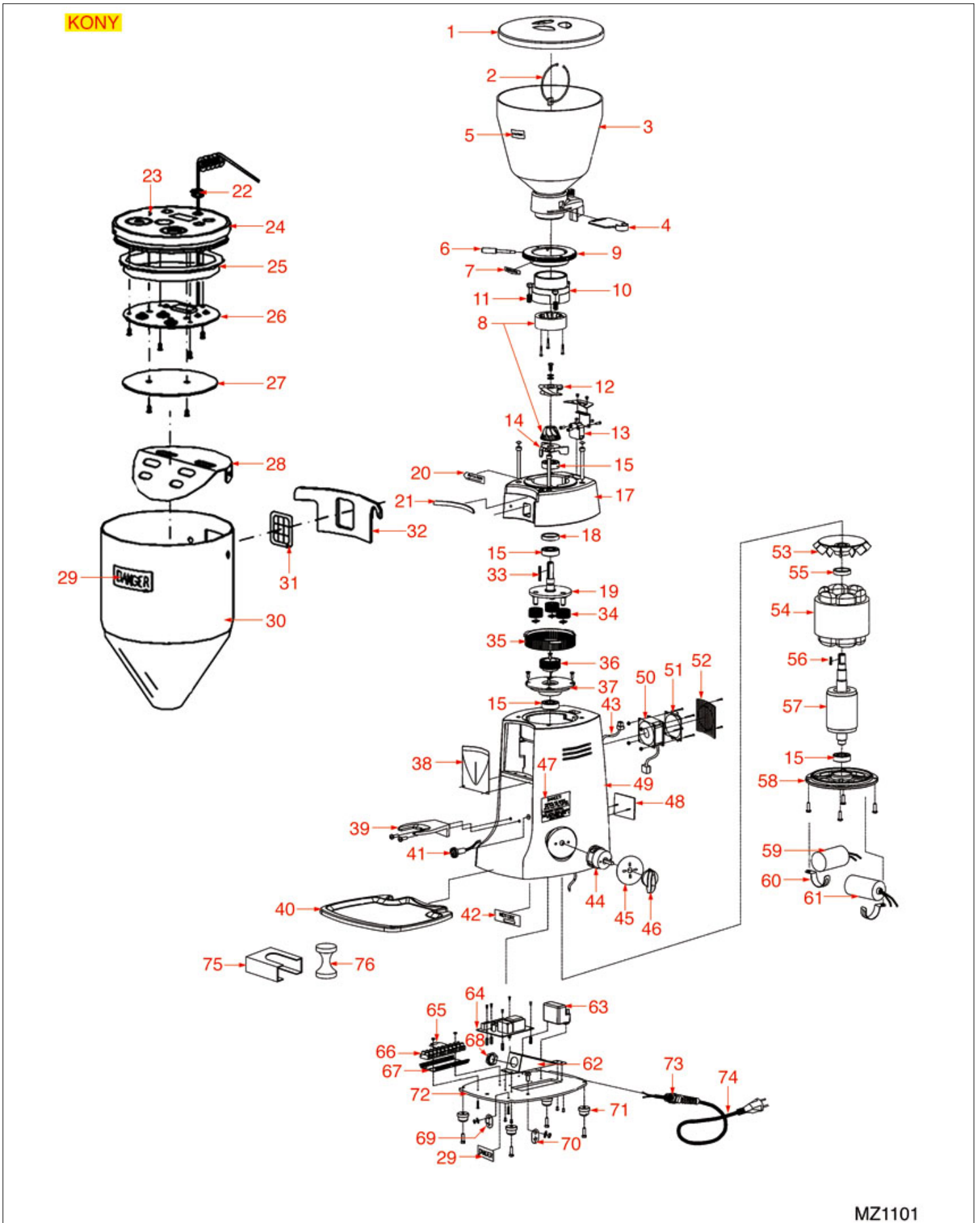
# MAZZER



Position	LF code no.	Description
1	1252061	COFFEE HOPPER LID ø 210 mm
3	1009007	CAUTION-HOPPER LABEL
4	1080916	COMPLETE COFFEE HOPPER
5	1252081	CLOSING SHEET FOR COFFEE HOPPER
6	1252064	GRINDING ADJUSTMENT RING
7	1009006	COARSE-FINE LABEL
8	1324906	ADJUSTMENT RING PIN M5
10	1251118	GRIND.BURRS MAZZER (PAIR) RH SINGLE-PH.
10	1251704	GRINDING BURRS (PAIR) MAZZER SINGLE-PH R
10	1251927	GRIND.BURRS MAZZER (PAIR) RH SINGLE-PH.
11	1251919	LOWER BURRS HOLDER
12	1063902	BEARING CAP MAJOR
13	1063901	BEARING 6204 2RS
14	1250065	GRINDING CONTROL SPRING
15	1240927	MOTOR ROTATION LABEL
16	1186697	SPOUT UPPER GASKET
18	1162012	FILTER HOLDER FORK
19	1221901	GREEN INDICATOR LAMP 230/400V
20	1252900	GROUNDS TRAY
21	1319903	SAFETY SWITCH
22	1240052	FAN MOTOR 60x60x25 mm 12VDC 2.4W
27	1252066	LABEL 4M MAZZER
30	1241542	BLACK KNOB FOR CONVERTER
31	1252067	LABEL FOR SELECTOR SWITCH 0-1 POSITIONS
32	1057902	SELECTOR SWITCH 0-1 POSITIONS 25A 690V
33	1240924	MOTOR FAN
34	1240921	ROTOR MAJOR
36	1168907	FAN CLAMP
40	1009012	COMPLETE ADHESIVE DIAPHRAGM ø 120 mm
43	1390014	PUSH-BUTTON BOARD WITH DISPLAY
45	1252443	COFFEE OUTLET PROTECTION
47	1385401	FILTER HOLDER SUPPORT F/MANUAL TAMPER
48	1385400	DOUBLE ALUMINIUM COFFEE TAMPER ø 57/53mm
49	1252444	COFFEE FLOW-THROUGH MESH 32x38 mm
49	1252445	COFFEE FLOW-THROUGH MESH 32x38 mm
50	1186906	AER-STOP GASKET
52	3068027	CAPACITOR µF 20 450V 50/60Hz
54	1390012	TIMER BOARD 220/240V
60	1252099	"DANGER" LABEL
62	1313903	FOOT ASSEMBLY



## COFFEE GRINDER ELECTRONIC KONY



MZ1101

Positions without LF code no.: upon request





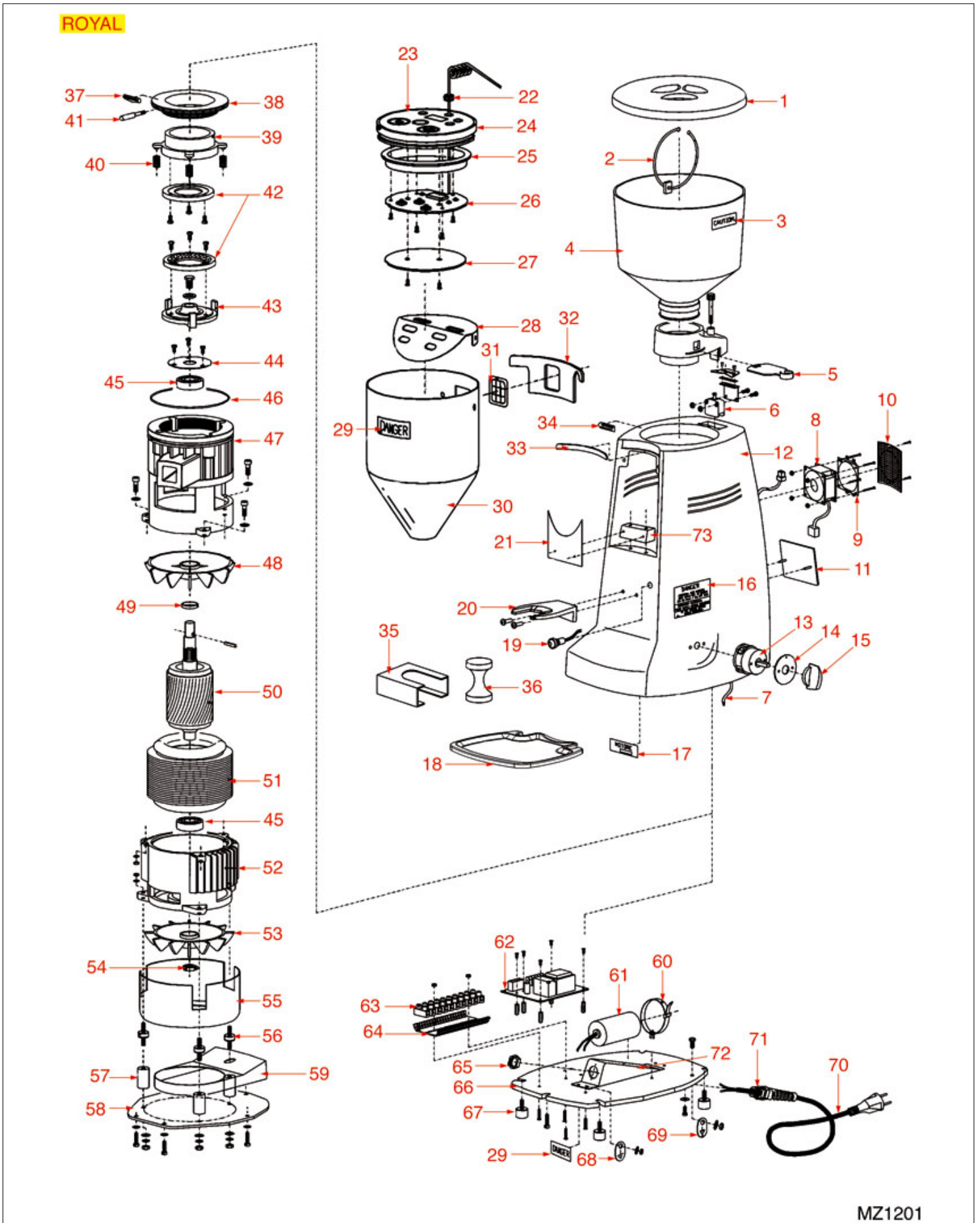
# MAZZER



Position	LF code no.	Description
1	1252061	COFFEE HOPPER LID ø 210 mm
3	1080027	COFFEE HOPPER
4	1252081	CLOSING SHEET FOR COFFEE HOPPER
5	1009007	CAUTION-HOPPER LABEL
6	1324906	ADJUSTMENT RING PIN M5
7	1009006	COARSE-FINE LABEL
8	1251020	CON.GR.BURRS MAZZER (PAIR) RH SINGLE-PH.
8	1251179	GRIND.BURRS(PAIR) MAZZER 1-PHASE CON.RH
9	1252902	ADJUSTMENT RING
11	1250065	GRINDING CONTROL SPRING
13	1319903	SAFETY SWITCH
14	1251027	GRINDING BURRS BOTTOM HOLDER SINGLE-PH.
15	3063005	BEARING 6202 2RS
18	1252449	SPACER ø 20x15x4 mm
20	1240927	MOTOR ROTATION LABEL
21	1186697	SPOUT UPPER GASKET
23	1009012	COMPLETE ADHESIVE DIAPHRAGM ø 120 mm
26	1390014	PUSH-BUTTON BOARD WITH DISPLAY
28	1252443	COFFEE OUTLET PROTECTION
29	1252099	"DANGER" LABEL
31	1252445	COFFEE FLOW-THROUGH MESH 32x38 mm
32	1186906	AER-STOP GASKET
34	1212007	REDUCTION GEAR ø 28 mm 17 TEETH
35	1212008	REDUCTION GEAR ø 100
36	1212009	REDUCTION GEAR ø 41 mm 25 TEETH
39	1162010	FILTER HOLDER FORK
40	1252900	GROUNDS TRAY
41	1221901	GREEN INDICATOR LAMP 230/400V
44	1057902	SELECTOR SWITCH 0-1 POSITIONS 25A 690V
45	1252067	LABEL FOR SELECTOR SWITCH 0-1 POSITIONS
46	1241542	BLACK KNOB FOR CONVERTER
48	1252066	LABEL 4M MAZZER
50	1240052	FAN MOTOR 60x60x25 mm 12VDC 2.4W
54	1240918	WOUND STATOR 220/240V 50Hz
57	1240922	ROTOR SUPER JOLLY
59	3068016	CAPACITOR µF 10 450V 50/60Hz
61	3068019	CAPACITOR µF 12.5 450V 50/60Hz
64	1390012	TIMER BOARD 220/240V
65	1755900	HEATING ELEMENT 220 K Ohm 2W
65	1755901	HEATING ELEMENT 68 K Ohm 2W
71	1313903	FOOT ASSEMBLY
75	1385401	FILTER HOLDER SUPPORT F/MANUAL TAMPER
76	1385400	DOUBLE ALUMINIUM COFFEE TAMPER ø 57/53mm



## COFFEE GRINDER ELECTRONIC ROYAL



MZ1201

Positions without LF code no.: upon request



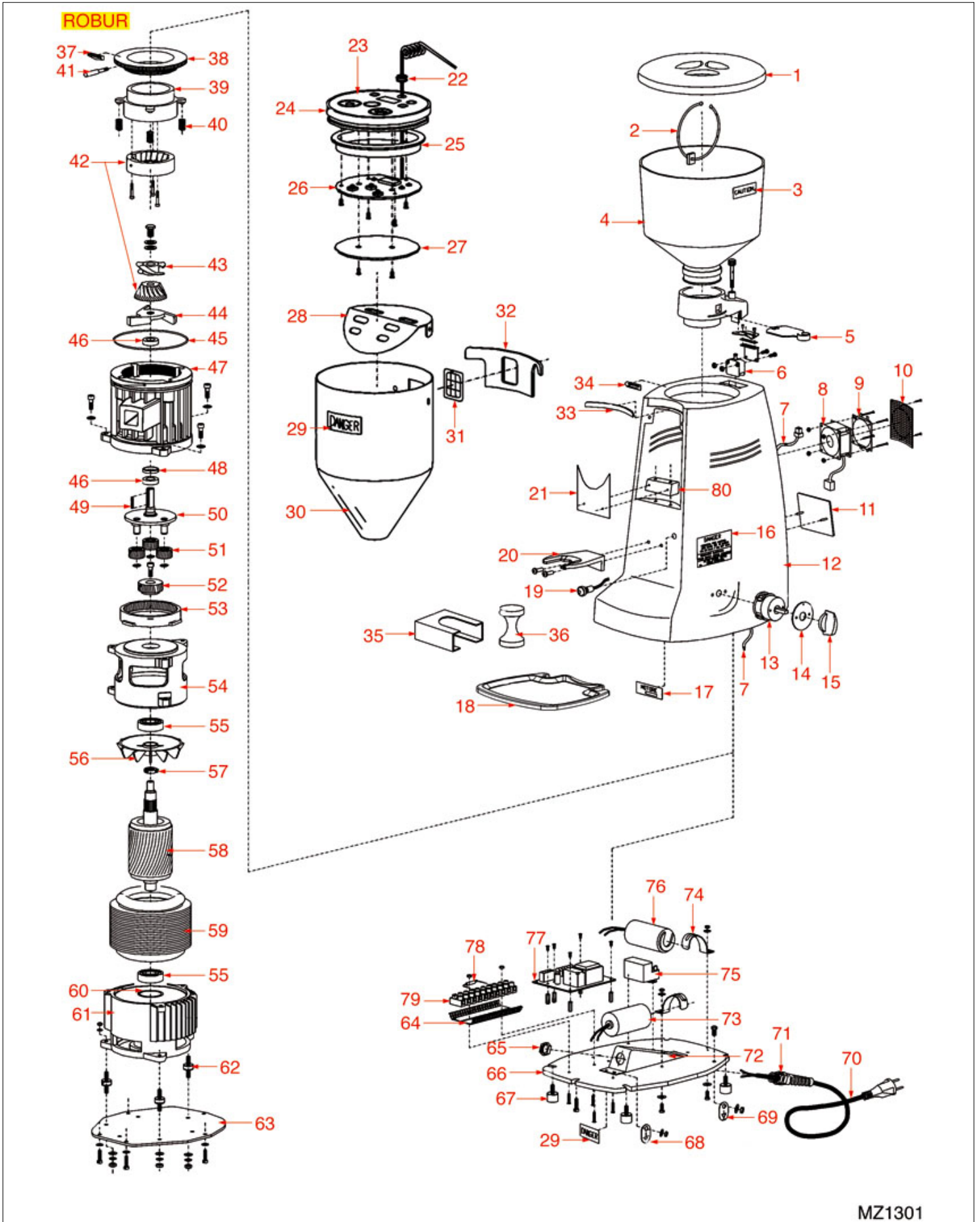
# MAZZER



Position	LF code no.	Description
1	1252061	COFFEE HOPPER LID ø 210 mm
3	1009007	CAUTION-HOPPER LABEL
4	1080916	COMPLETE COFFEE HOPPER
5	1252081	CLOSING SHEET FOR COFFEE HOPPER
6	1319903	SAFETY SWITCH
8	1240053	MOTOR FAN 80x80x25 mm 12VDC 2W
11	1252066	LABEL 4M MAZZER
13	1057902	SELECTOR SWITCH 0-1 POSITIONS 25A 690V
14	1252067	LABEL FOR SELECTOR SWITCH 0-1 POSITIONS
15	1241542	BLACK KNOB FOR CONVERTER
18	1252900	GROUNDS TRAY
19	1221901	GREEN INDICATOR LAMP 230/400V
20	1162010	FILTER HOLDER FORK
23	1009012	COMPLETE ADHESIVE DIAPHRAGM ø 120 mm
26	1390014	PUSH-BUTTON BOARD WITH DISPLAY
28	1252443	COFFEE OUTLET PROTECTION
29	1252099	"DANGER" LABEL
31	1252445	COFFEE FLOW-THROUGH MESH 32x38 mm
32	1186906	AER-STOP GASKET
33	1186697	SPOUT UPPER GASKET
34	1240927	MOTOR ROTATION LABEL
35	1385401	FILTER HOLDER SUPPORT F/MANUAL TAMPER
36	1385400	DOUBLE ALUMINIUM COFFEE TAMPER ø 57/53mm
37	1009006	COARSE-FINE LABEL
38	1252064	GRINDING ADJUSTMENT RING
40	1250065	GRINDING CONTROL SPRING
41	1324906	ADJUSTMENT RING PIN M5
42	1251178	GRIND.BURRS(PAIR) MAZZER 3-PHASE RH
42	1251928	GRIND.BURRS MAZZER (PAIR) RH THREE-PH.
42	1251933	GRIND.BURRS MAZZER (PAIR) RIGHT THREE-PH
43	1251919	LOWER BURRS HOLDER
44	1063902	BEARING CAP MAJOR
45	1063901	BEARING 6204 2RS
48	1240924	MOTOR FAN
61	3068024	CAPACITOR µF 16 450V 50/60Hz
62	1390012	TIMER BOARD 220/240V
67	1313904	FOOT ø 20x16 mm M6



## COFFEE GRINDER ELECTRONIC ROBUR



MZ1301

Positions without LF code no.: upon request





# MAZZER

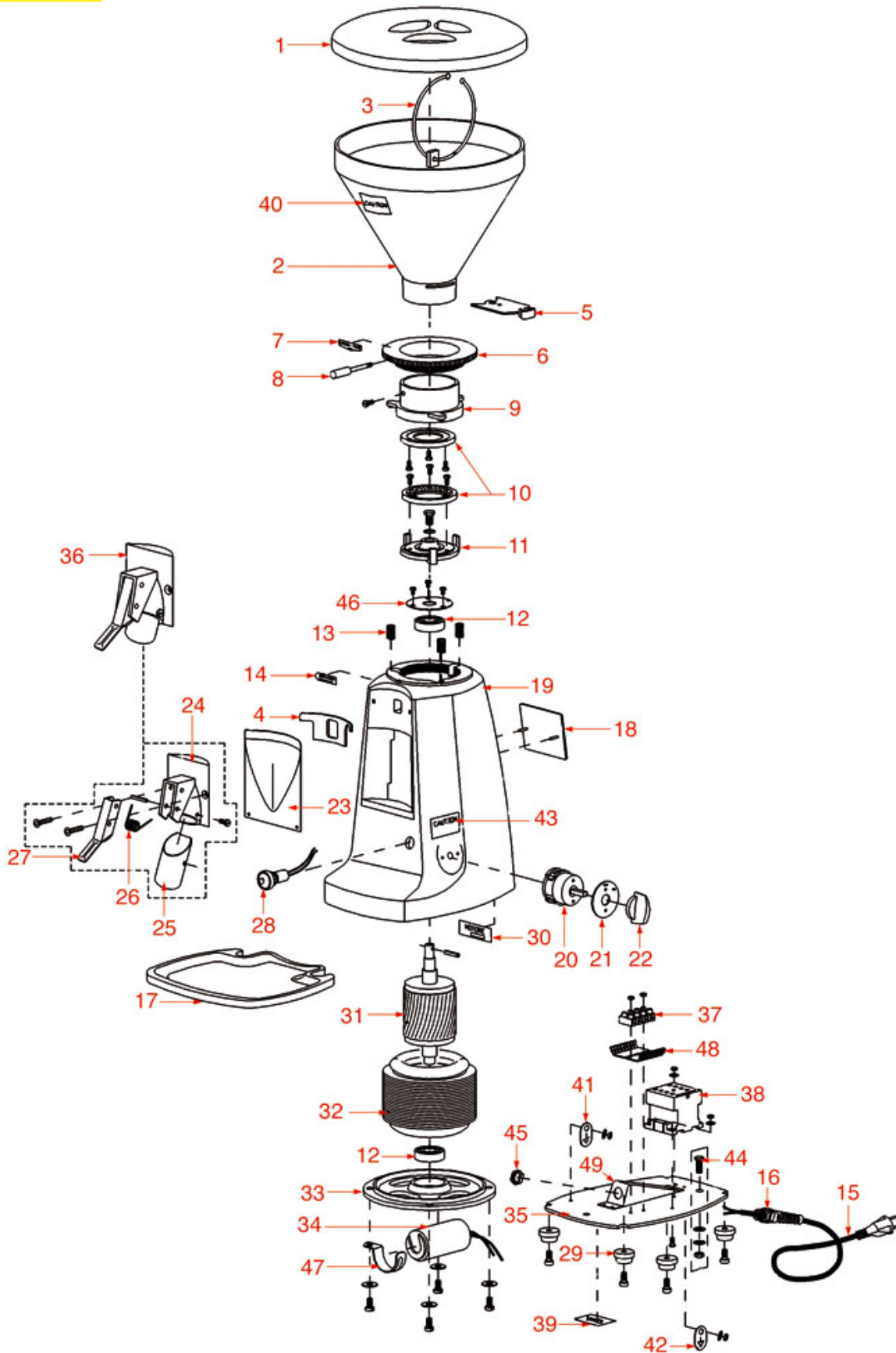


Position	LF code no.	Description
1	1252061	COFFEE HOPPER LID ø 210 mm
3	1009007	CAUTION-HOPPER LABEL
4	1080916	COMPLETE COFFEE HOPPER
5	1252081	CLOSING SHEET FOR COFFEE HOPPER
6	1319903	SAFETY SWITCH
8	1240053	MOTOR FAN 80x80x25 mm 12VDC 2W
11	1252066	LABEL 4M MAZZER
13	1057902	SELECTOR SWITCH 0-1 POSITIONS 25A 690V
14	1252067	LABEL FOR SELECTOR SWITCH 0-1 POSITIONS
15	1241542	BLACK KNOB FOR CONVERTER
18	1252900	GROUNDS TRAY
19	1221901	GREEN INDICATOR LAMP 230/400V
20	1162010	FILTER HOLDER FORK
23	1009012	COMPLETE ADHESIVE DIAPHRAGM ø 120 mm
26	1390014	PUSH-BUTTON BOARD WITH DISPLAY
28	1252443	COFFEE OUTLET PROTECTION
29	1252099	"DANGER" LABEL
31	1252445	COFFEE FLOW-THROUGH MESH 32x38 mm
32	1186906	AER-STOP GASKET
33	1186697	SPOUT UPPER GASKET
34	1240927	MOTOR ROTATION LABEL
35	1385401	FILTER HOLDER SUPPORT F/MANUAL TAMPER
36	1385400	DOUBLE ALUMINIUM COFFEE TAMPER ø 57/53mm
37	1009006	COARSE-FINE LABEL
38	1252064	GRINDING ADJUSTMENT RING
40	1250065	GRINDING CONTROL SPRING
41	1324906	ADJUSTMENT RING PIN M5
42	1251181	GRIND.BURRS(PAIR) 1-PHASE MAZZER CON.RH
42	1251914	CON.GR.BURRS MAZZER (PAIR) RH SINGLE-PH.
44	1251924	LOWER BURRS HOLDER
46	3063005	BEARING 6202 2RS
48	1252449	SPACER ø 20x15x4 mm
50	1252450	3-PHASE SHAFT WITH 3 PINS
51	1212007	REDUCTION GEAR ø 28 mm 17 TEETH
52	1212009	REDUCTION GEAR ø 41 mm 25 TEETH
53	1212008	REDUCTION GEAR ø 100
55	1063901	BEARING 6204 2RS
56	1240924	MOTOR FAN
57	1168907	FAN CLAMP
67	1313904	FOOT ø 20x16 mm M6
73	3068024	CAPACITOR µF 16 450V 50/60Hz
75	1252904	CIRCUIT INTERRUPTER 4CR-1-670
75	1252905	CIRCUIT INTERRUPTER 4CR1-681
76	3068024	CAPACITOR µF 16 450V 50/60Hz
76	3068027	CAPACITOR µF 20 450V 50/60Hz
77	1390012	TIMER BOARD 220/240V
78	1755900	HEATING ELEMENT 220 K Ohm 2W
78	1755901	HEATING ELEMENT 68 K Ohm 2W



## COFFEE GRINDER SUPER JOLLY

### SUPER JOLLY



MZ1401



# MAZZER

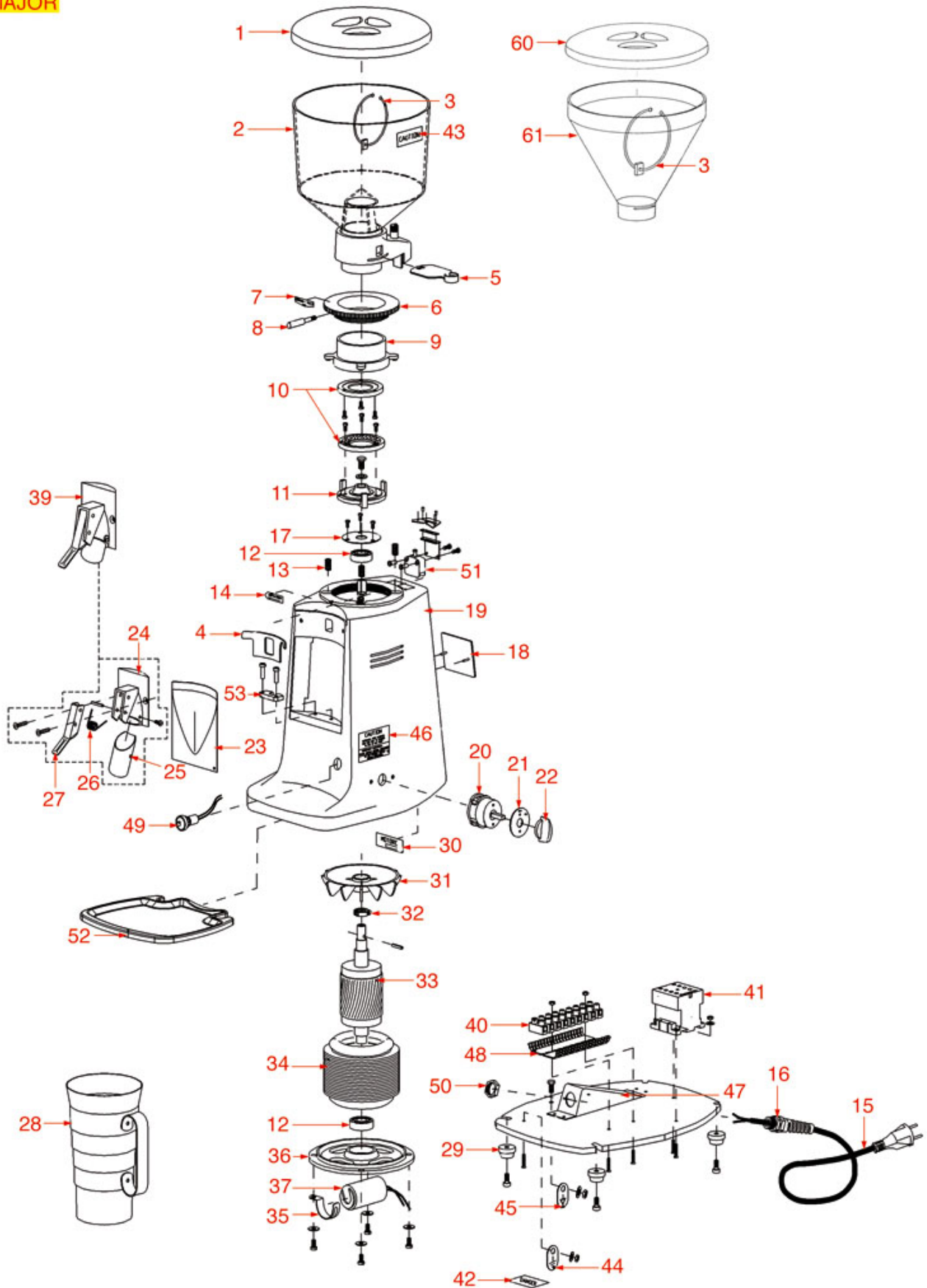


Position	LF code no.	Description
1	1252061	COFFEE HOPPER LID ø 210 mm
2	1080915	COFFEE HOPPER
4	1186906	AER-STOP GASKET
5	1252063	COFFEE HOPPER CLOSING SHEET
6	1252902	ADJUSTMENT RING
7	1009006	COARSE-FINE LABEL
8	1324906	ADJUSTMENT RING PIN M5
9	1251920	UPPER BURRS HOLDER
10	1251056	GRIND.BURRS MAZZER (PAIR) RH THREE-PH.
10	1251700	GRINDING BURRS (PAIR) MAZZER 1-PHASE RH
10	1251929	SINGLE-PH. GRINDING BURRS PAIR MAZZER RH
10	1251930	GRIND.BURRS MAZZER (PAIR) RH THREE-PH.
10	1251935	GRIND.BURRS MAZZER (PAIR) RH SINGLE-PH.
11	1251921	LOWER BURRS HOLDER
12	3063005	BEARING 6202 2RS
13	1250065	GRINDING CONTROL SPRING
14	1240927	MOTOR ROTATION LABEL
17	1252900	GROUNDS TRAY
18	1252066	LABEL 4M MAZZER
20	1057902	SELECTOR SWITCH 0-1 POSITIONS 25A 690V
20	1319001	SELECTOR SWITCH 0-1 POSITIONS 20A 290V
21	1252067	LABEL FOR SELECTOR SWITCH 0-1 POSITIONS
22	1241542	BLACK KNOB FOR CONVERTER
25	1252069	STAINLESS STEEL COFFEE OUTLET SPOUT
26	1250070	SPOUT SPRING
28	1221901	GREEN INDICATOR LAMP 230/400V
29	1313903	FOOT ASSEMBLY
31	1240922	ROTOR SUPER JOLLY
32	1240917	WOUND STATOR 230/400V 50Hz
32	1240918	WOUND STATOR 220/240V 50Hz
34	3068014	CAPACITOR µF 8 450V 50/60Hz
34	3068016	CAPACITOR µF 10 450V 50/60Hz
38	1454902	CONTACTOR LOVATO BG0910A
38	3446556	CONTACTOR LOVATO BG0910A
39	1252099	"DANGER" LABEL
40	1009007	CAUTION-HOPPER LABEL
46	1063008	BEARING CAP ø 52 mm



## COFFEE GRINDER MAJOR

**MAJOR**



MZ1501

Positions without LF code no.: upon request





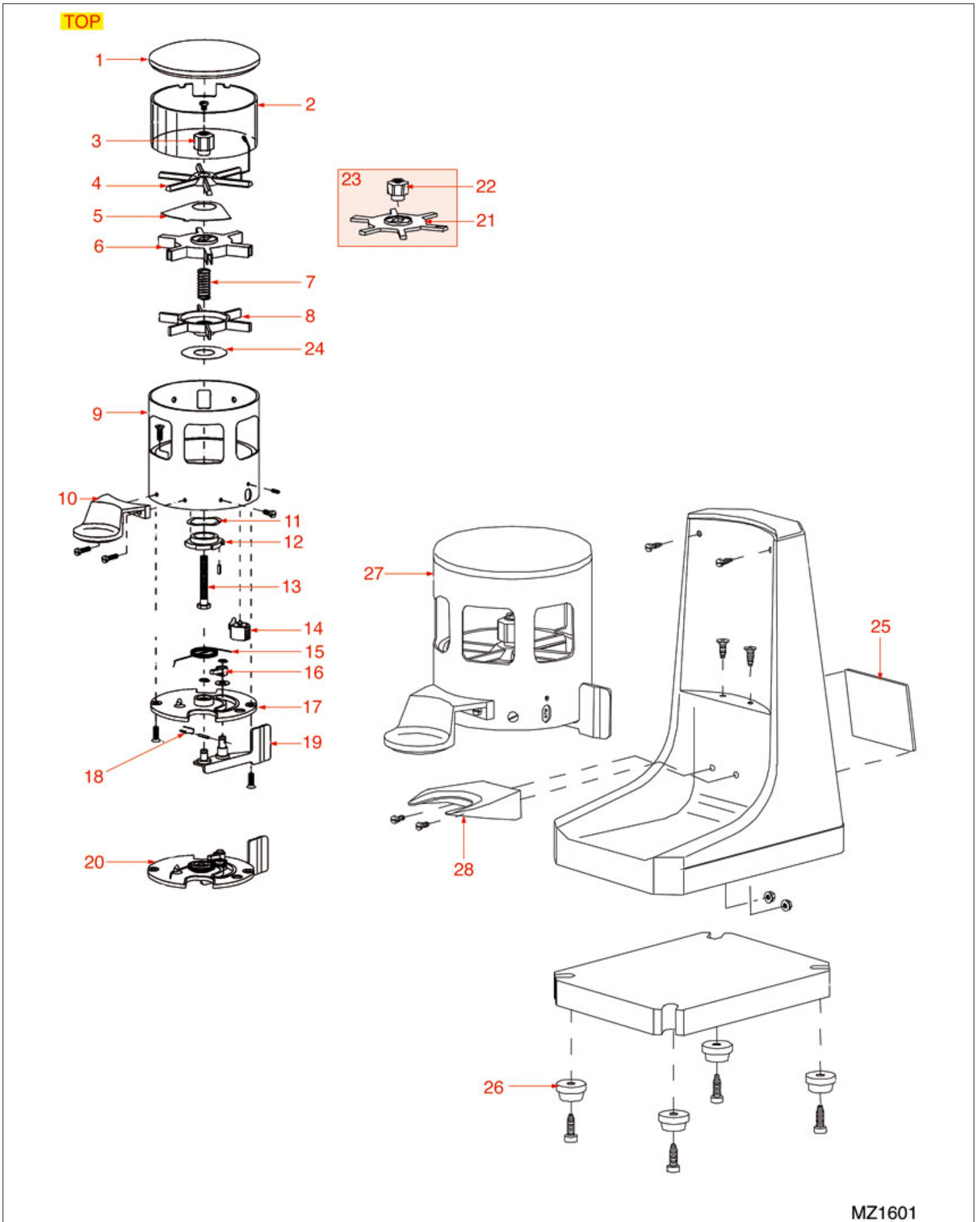
# MAZZER



Position	LF code no.	Description
1	1252061	COFFEE HOPPER LID ø 210 mm
2	1080916	COMPLETE COFFEE HOPPER
4	1186906	AER-STOP GASKET
5	1252081	CLOSING SHEET FOR COFFEE HOPPER
6	1252064	GRINDING ADJUSTMENT RING
7	1009006	COARSE-FINE LABEL
8	1324906	ADJUSTMENT RING PIN M5
10	1251178	GRIND.BURRS(PAIR) MAZZER 3-PHASE RH
10	1251928	GRIND.BURRS MAZZER (PAIR) RH THREE-PH.
10	1251933	GRIND.BURRS MAZZER (PAIR) RIGHT THREE-PH
11	1251919	LOWER BURRS HOLDER
12	1063901	BEARING 6204 2RS
13	1250065	GRINDING CONTROL SPRING
14	1240927	MOTOR ROTATION LABEL
17	1063902	BEARING CAP MAJOR
18	1252066	LABEL 4M MAZZER
20	1057902	SELECTOR SWITCH 0-1 POSITIONS 25A 690V
20	1319001	SELECTOR SWITCH 0-1 POSITIONS 20A 290V
21	1252067	LABEL FOR SELECTOR SWITCH 0-1 POSITIONS
22	1241542	BLACK KNOB FOR CONVERTER
24	1252068	SPOUT HOLDER
25	1252069	STAINLESS STEEL COFFEE OUTLET SPOUT
26	1250070	SPOUT SPRING
28	1252072	JUG MAJOR
29	1313903	FOOT ASSEMBLY
30	1240925	MOTOR LABEL SJ 220/380V 50Hz
30	1240926	MOTOR LABEL SJ 220/240V 50Hz
31	1240924	MOTOR FAN
32	1168907	FAN CLAMP
33	1240921	ROTOR MAJOR
37	3068024	CAPACITOR µF 16 450V 50/60Hz
37	3068027	CAPACITOR µF 20 450V 50/60Hz
39	1252073	SPOUT GROUP
41	1454902	CONTACTOR LOVATO BG0910A
41	3446556	CONTACTOR LOVATO BG0910A
42	1252099	"DANGER" LABEL
43	1009007	CAUTION-HOPPER LABEL
46	1009008	CAUTION-FIRE LABEL
49	1221901	GREEN INDICATOR LAMP 230/400V
51	1319903	SAFETY SWITCH
52	1252900	GROUNDS TRAY
60	1252061	COFFEE HOPPER LID ø 210 mm
61	1080915	COFFEE HOPPER



## DISPENSER TOP



MZ1601



# MAZZER



Position	LF code no.	Description
1	1252086	DOSER LID ø 125 mm
2	1252087	DOSER CYLINDER ø 120x68 mm
3	1241909	SMALL CONTROL HANDLE
4	1343010	UPPER STAR WITH PIN
5	1252088	CLOSING SECTOR
6	1343902	STAR (FEMALE)
7	1252089	DOSER PRESSURE SPRING
8	1343903	STAR (MALE)
10	1385901	COFFEE TAMPER ø 53 mm
10	1385902	COFFEE TAMPER ø 54.5 mm
10	1385903	COFFEE TAMPER ø 58 mm
11	1252091	COMPENSATION RING ø 32 mm
12	1252092	PAWL FOR COFFEE GRINDER/DOSER
13	1252093	DOSING ADJUSTMENT SCREW
15	1250922	DOSER LEVER RETURN SPRING
16	1252095	DOSER RETAINER
18	1250923	RETAINER SPRING
19	1252096	DOSER LEVER
20	1252097	DOSER LEVER ASSEMBLY
23	1343907	STAR WITH ADJUSTMENT KNOB
24	1252098	DOSER WASHER
26	1313903	FOOT ASSEMBLY
28	1252082	FILTER HOLDER FORK



Suitable for:

# MAZZER



Suitable for:

## Accident prevention devices-protections

1252441 COFFEE OUTLET PROTECTION



MAZZER S000PRB01

1252442 COFFEE OUTLET PROTECTION



MAZZER SMI0PRB01

1252443 COFFEE OUTLET PROTECTION



MAZZER SSJ0PRB02

MAZZER S000PRB02

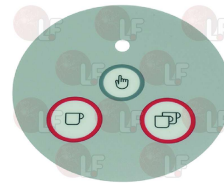
## Adhesive labels

1252099 "DANGER" LABEL



MAZZER S000ETA14

1009010 ADHESIVE DIAPHRAGM ø 120 mm  
for Grinder-dispenser (MAZZER) MINI ELETTRONICO A



MAZZER S000MEM01

MAZZER S000MEM01-A

1009008 CAUTION-FIRE LABEL



MAZZER S000TAA20

1009007 CAUTION-HOPPER LABEL



MAZZER S000ETA15

MAZZER S000ETA15/A

1009006 COARSE-FINE LABEL



MAZZER S000ETA03

MAZZER S000ETA03-A

1009012 COMPLETE ADHESIVE DIAPHRAGM ø 120 mm  
for Grinder-dispenser (MAZZER) KONY ELETTRONICO  
MAJOR ELETTRONICO - ROBUR ELETTRONICO  
ROYAL ELETTRONICO



MAZZER S00SCOG02

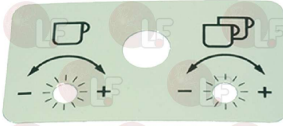
MAZZER S00SCOG02/B

MAZZER S000MEM04



Suitable for:

**1009009 DOSE ADJUSTMENT LABEL**  
size 73x40 mm  
for Grinder-dispenser (MAZZER) MINI ELETTRONICO A



MAZZER S000ETA21

MAZZER S000ETA21-A

**1252066 LABEL 4M MAZZER**



MAZZER S000TAA02

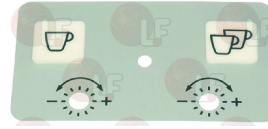
**1240925 MOTOR LABEL SJ 220/380V 50Hz**



MAZZER SMJ0ETA03

Suitable for:

**1009011 DOSE ADJUSTMENT LABEL**  
size 90x50 mm  
for Grinder-dispenser (MAZZER) MINI ELETTRONICO B



MAZZER S000MEM03

**1240926 MOTOR LABEL SJ 220/240V 50Hz**



MAZZER SMJ0ETA01

**1240927 MOTOR ROTATION LABEL**

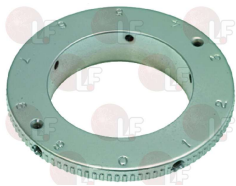


MAZZER S000ETA00

MAZZER S000ETA00/A

## Asjustement ringsfor coffee grinder

**1252902 ADJUSTMENT RING**  
for Grinder-dispenser (MAZZER) KONY  
KONY ELETTRONICO - LUX - MINI  
MINI ELETTRONICO A - MINI ELETTRONICO B  
SUPERJOLLY



MAZZER SSJ0GHA02

**1252064 GRINDING ADJUSTMENT RING**  
for Grinder-dispenser (MAZZER) MAJOR - ROBOR  
ROYAL - STARK

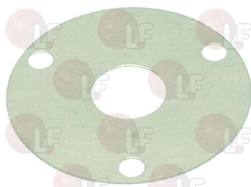


MAZZER SMJ0GHA04

MAZZER SMJ0GHA04-A

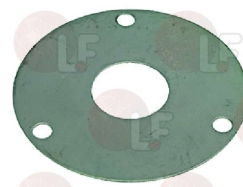
## Bearings

**1063008 BEARING CAP ø 52 mm**



MAZZER SSJ0COA01

**1063902 BEARING CAP MAJOR**



MAZZER SMJ0COA02



Suitable for:

**3063005 BEARING 6202 2RS**  
external  $\varnothing$  35 mm -internal  $\varnothing$  15 mm-thickness 11 mm



MAZZER S000CUA07

Suitable for:

**1063901 BEARING 6204 2RS**  
extern.  $\varnothing$  47 mm -intern.  $\varnothing$  20 mm - thickn. 14 mm



MAZZER S000CUA04

**9063006 BEARING 6205 2Z**  
external  $\varnothing$  52 mm -internal  $\varnothing$  25 mm-thickness 15 mm  
for Coffee grinder (MAZZER) DR100



MAZZER S000CUA08

## Belts

**1062001 TOOTHED BELT 172 L 050 H13**  
for Grinder-dispenser (MAZZER) M100



MAZZER SMC0CIB02

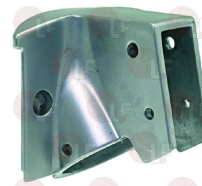
## Bodies

**1252073 SPOUT GROUP**



MAZZER S00SGRC01

**1252068 SPOUT HOLDER**



MAZZER S000POA08

**1252069 STAINLESS STEEL COFFEE OUTLET SPOUT**



MAZZER S000BOAX2

MAZZER S000BOA02



## Capacitors

**3068016 CAPACITOR  $\mu$ F 10 450V 50/60Hz**  
operating temperature -25+85°C  
in compliance with EEC 93/68 and 92/31 regulations



MAZZER S000COE02

**3068019 CAPACITOR  $\mu$ F 12.5 450V 50/60Hz**  
operating temperature -25+85°C  
in compliance with EEC 93/68 and 92/31 regulations



MAZZER S000COE16

**3068024 CAPACITOR  $\mu$ F 16 450V 50/60Hz**  
operating temperature -25+85°C  
in compliance with EEC 93/68 and 92/31 regulations



MAZZER S000COE03

**3068027 CAPACITOR  $\mu$ F 20 450V 50/60Hz**  
operating temperature -25+85°C  
in compliance with EEC 93/68 and 92/31 regulations



MAZZER S000COE04

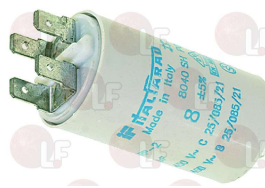
**3068010 CAPACITOR  $\mu$ F 6.3 450V 50/60Hz**  
operating temperature -25+85°C  
in compliance with EEC 93/68 and EEC 92/31 regulat



MAZZER S000COE14

MAZZER S000COE17

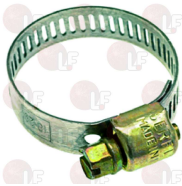
**3068014 CAPACITOR  $\mu$ F 8 450V 50/60Hz**  
operating temperature -25+85°C  
in compliance with EEC 93/68 and 92/31 regulations



MAZZER S000COE01

## Clamps

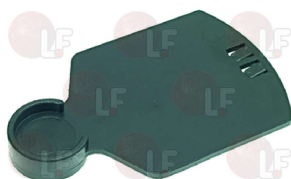
**1168907 FAN CLAMP**



MAZZER S000FAA01

## Containers for coffee

**1252081 CLOSING SHEET FOR COFFEE HOPPER**



MAZZER S000SEB02

MAZZER S000SEB02-A

**1080027 COFFEE HOPPER**  
for Grinder-dispenser (MAZZER) KONY  
KONY ELETTRONICO



MAZZER SKOSCAE03



Suitable for:

# MAZZER



**1080080 COFFEE HOPPER**  
for Grinder-dispenser (MAZZER) M100



MAZZER SMC0CAE03

Suitable for:

**1080915 COFFEE HOPPER**  
for Grinder-dispenser (MAZZER) LUX - MAJOR  
SUPERJOLLY



MAZZER S00SCAE08  
MAZZER S000CAE08

MAZZER S000CAE02

MAZZER S000CAE02-A

**1252063 COFFEE HOPPER CLOSING SHEET**



MAZZER SMIOSEB01

MAZZER SMIOSEB01-A

**1252060 COFFEE HOPPER LID ø 160 mm**  
for Grinder-dispenser (MAZZER) MINI  
MINI ELETTRONICO A - MINI ELETTRONICO B



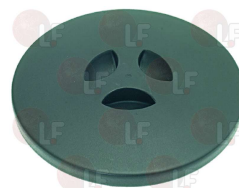
MAZZER SMIOC0D01

**1080081 COFFEE HOPPER LID ø 196 mm**  
for Grinder-dispenser (MAZZER) M100



MAZZER SMC0C0D05

**1252061 COFFEE HOPPER LID ø 210 mm**  
for Grinder-dispenser (MAZZER) KONY - LUX - MAJOR  
MINI - MINI ELETTRONICO A - MINI ELETTRONICO B  
ROBUR - ROYAL - STARK - SUPERJOLLY



MAZZER S000C0D01

**1252901 COMPLETE COFFEE CONTAINER**  
for Grinder-dispenser (MAZZER) MINI  
MINI ELETTRONICO A - MINI ELETTRONICO B



MAZZER SMISCAE03  
MAZZER SMIOCAE03

MAZZER SMISCAE04

MAZZER SMIOCAE01

**1080079 COMPLETE COFFEE HOPPER**  
for OLD MOELS  
for Grinder-dispenser (MAZZER) MAJOR - SUPERJOLLY



MAZZER S00SCAE01

**1080916 COMPLETE COFFEE HOPPER**  
for Grinder-dispenser (MAZZER) MAJOR - ROBUR  
ROYAL - STARK



MAZZER S00SCAE03  
MAZZER S000CAE03

MAZZER S00SCAE07

MAZZER S00SCAE07+

**1080076 COMPLETE COFFEE HOPPER 320 gr**  
for Grinder-dispenser (MAZZER) MINI  
MINI ELETTRONICO A - MINI ELETTRONICO B



MAZZER SMISCAE02  
MAZZER SMISCAE06

MAZZER SMISCAE02  
MAZZER SMIOCAE02

MAZZER SMISCAE02-A



**1252072 JUG MAJOR**



MAZZER SMJSBIA02

## Counters

**1252094 COUNTER FOR COFFEE GRINDER**

for Grinder-dispenser (MAZZER) KONY - LUX - MAJOR  
MINI - ROBUR - ROYAL - SUPERJOLLY



MAZZER S00SCOB02

## Dosers for coffee

**1090904 AUTOMATIC DOSER GROUP**



MAZZER SMJSGRA04

MAZZER SMJSGRL04

MAZZER SMJSGRL05

**1252103 DOSER CYLINDER**

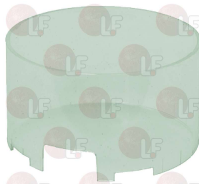
for Grinder-dispenser (MAZZER) MAJOR - ROBUR  
ROYAL



MAZZER S000CIA03

**1252087 DOSER CYLINDER  $\varnothing$  120x68 mm**

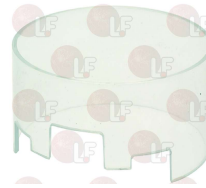
for Grinder-dispenser (MAZZER) KONY - M100 - STARK  
SUPERJOLLY



MAZZER S000CIA01

**1090021 DOSER CYLINDER  $\varnothing$  120x70 mm**

for Grinder-dispenser (MAZZER) LUX - MINI



MAZZER S000CIA02

**1252090 DOSER CYLINDER  $\varnothing$  122x182 mm**

for Grinder-dispenser (MAZZER) MAJOR - ROBUR  
ROYAL - STARK



MAZZER SMJ0TUA04

MAZZER SMJ0TUA04-A+...

**1090905 DOSER GROUP TOP**



MAZZER STOSGRA08A



Suitable for:

# MAZZER



**1252086 DOSER LID  $\varnothing$  125 mm**  
 for Grinder-dispenser (MAZZER) KONY - LUX - MAJOR  
 MINI - MINI ELETTRONICO B - M100 - ROBUR  
 ROYAL - STARK - SUPERJOLLY



MAZZER S000COD02

Suitable for:

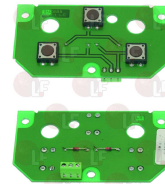
## Electronic printed-circuit boards

**1390013 LED BOARD**  
 dimensions 80x25 mm  
 for Grinder-dispenser (MAZZER) MINI ELETTRONICO B



MAZZER S000SCT03

**1390015 PUSH-BUTTON BOARD**  
 dimensions 90x50 mm - NEW TYPE  
 for Grinder-dispenser (MAZZER) MINI ELETTRONICO A



MAZZER S000SPU01/A

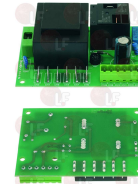
**1390014 PUSH-BUTTON BOARD WITH DISPLAY**  
 for Grinder-dispenser (MAZZER) KONY ELETTRONICO  
 MAJOR ELETTRONICO - ROBUR ELETTRONICO  
 ROYAL ELETTRONICO



MAZZER S000SPU03

MAZZER S000SPU03-B

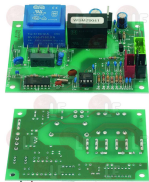
**1390012 TIMER BOARD 220/240V**  
 dimensions 100x74 mm  
 for Grinder-dispenser (MAZZER) KONY ELETTRONICO  
 MAJOR ELETTRONICO - ROBUR ELETTRONICO  
 ROYAL ELETTRONICO



MAZZER S000SCT06

MAZZER S000SCT06-A

**1390010 TIMER BOARD 230V 50/60Hz**  
 dimensions 105x73 mm  
 for Grinder-dispenser (MAZZER) MINI ELETTRONICO A



MAZZER S000SCT01

MAZZER S000SCT01/D

**1390011 TIMER BOARD 230V 50/60Hz**  
 size 105x74 mm  
 for Grinder-dispenser (MAZZER) MINI ELETTRONICO B



MAZZER S000SCT02

MAZZER S000SCT02-B

## Equipment and accessories

**1252909 AUTOM. COFFEE GRINDER/DOSER MAJOR**  
 single-phase 650W 220/240V 50/60Hz  
 dimensions 202x312x620 mm  
 grinding burrs ø 83 mm  
 coffee beans capacity 1.2 kg



MAZZER FMJAC1E00

**1252911 AUTOM. COFFEE GRINDER/DOSER MINI**  
 single-phase 250W 220/240V 50/60Hz  
 dimensions 158x188x460 mm  
 grinding burrs ø 58 mm  
 coffee beans capacity 0.6 kg



MAZZER FMIAC1E00

**1252907 AUTOM. COFFEE GRINDER/DOSER SUPER JOLLY**  
 single-phase 350W 220/240V 50/60Hz  
 dimensions 195x263x600 mm  
 grinding burrs ø 64 mm  
 coffee beans capacity 1.2 kg



MAZZER FSJAC1E00

MAZZER FSJAC1E00-AA

**1252912 DOSER TOP**  
 dimensions 150x215x340 mm  
 coffee beans capacity 300 g  
 with counter



MAZZER FTOC0000

**1252906 MANUAL COFFEE GRINDER/DOSER SUPER JOLLY**  
 single-phase 350W 220/240V 50/60Hz  
 dimensions 195x263x600 mm  
 grinding burrs ø 64 mm  
 coffee beans capacity 1.2 kg



MAZZER FSJM01E00

MAZZER FSJM01E00-AA

## Feet

**1313904 FOOT ø 20x16 mm M6**



MAZZER P000PIA02

MAZZER P000PIA04

**1313903 FOOT ASSEMBLY**



MAZZER S00SPIA01



Suitable for:

# MAZZER



Suitable for:

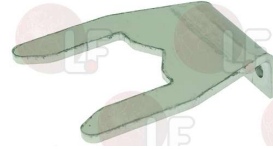
## Forks for portafilter coffee grinder

**1162010 FILTER HOLDER FORK**  
for Grinder-dispenser (MAZZER) KONY ELETTRONICO  
ROBUR ELETTRONICO



MAZZER S000FOB14

**1162012 FILTER HOLDER FORK**  
for Grinder-dispenser (MAZZER) MAJOR ELETTRONICO



MAZZER SMJ0FOB13

MAZZER S000FOB13

**1252082 FILTER HOLDER FORK**  
for Grinder-dispenser (MAZZER) KONY - LUX - MAJOR  
MINI - M100 - ROBUR - ROYAL - STARK  
SUPERJOLLY



MAZZER S000FOB02  
MAZZER S000FOB02A

MAZZER S000FOB02-C  
MAZZER S000FOB02B

MAZZER S000FOB02/B

**1162011 FILTER-HOLDER FORK**  
for Grinder-dispenser (MAZZER) MINI ELETTRONICO A  
MINI ELETTRONICO B



MAZZER S000FOB08

MAZZER S000FOB08-B

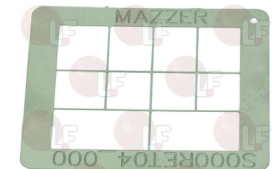
## Gaskets and seals

**1186906 AER-STOP GASKET**  
for Grinder-dispenser (MAZZER) KONY - MAJOR - MINI  
M100 - ROBUR - ROYAL - STARK - SUPERJOLLY



MAZZER S000GUA01

**1252444 COFFEE FLOW-THROUGH MESH 32x38 mm**



MAZZER S000RET04

**1252445 COFFEE FLOW-THROUGH MESH 32x38 mm**



MAZZER S000RET01-A

MAZZER S000RET03

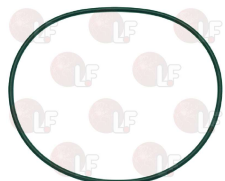
**1186696 FUNNEL GASKET WITH MESH**  
for Grinder-dispenser (MAZZER) MINI ELETTRONICO A  
MINI ELETTRONICO B



MAZZER S000GUA01

MAZZER S000GUA01-A

**3186466 GASKET O-RING 04475 EPDM**



MAZZER S000ANA05

**1186223 O-RING 02056 EPDM**

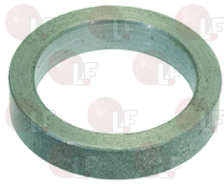


MAZZER S000ANA02



Suitable for:

**1252449 SPACER  $\varnothing$  20x15x4 mm**



MAZZER S000SPB02

Suitable for:

**1186697 SPOUT UPPER GASKET**  
for Grinder-dispenser (MAZZER) KONY ELETTRONICO  
MAJOR ELETTRONICO - ROBUR ELETTRONICO  
ROYAL ELETTRONICO



MAZZER S000GUA03

## Gears

**1212007 REDUCTION GEAR  $\varnothing$  28 mm 17 TEETH**  
for Grinder-dispenser (MAZZER) KONY  
KONY ELETTRONICO - ROBUR - ROBUR ELETTRONICO



MAZZER S000SAT01

**1212008 REDUCTION GEAR  $\varnothing$  100**  
for Grinder-dispenser (MAZZER) KONY  
KONY ELETTRONICO - ROBUR - ROBUR ELETTRONICO



MAZZER S000COR01

**1212009 REDUCTION GEAR  $\varnothing$  41 mm 25 TEETH**  
for Grinder-dispenser (MAZZER) KONY  
KONY ELETTRONICO - ROBUR - ROBUR ELETTRONICO



MAZZER S000PIR02

MAZZER S000PIR02-A

**1252450 3-PHASE SHAFT WITH 3 PINS**



MAZZER S000SALA04

## Grinders

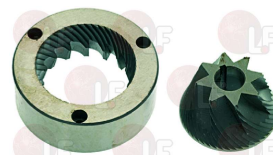
**1251020 CON.GR.BURRS MAZZER (PAIR) RH SINGLE-PH.**  
external  $\varnothing$  63/40 mm - internal  $\varnothing$  40/12 mm  
thickness 23 mm - 3 mounting holes  
inner grooving for feather  
for Grinder-dispenser (MAZZER) KONY  
KONY ELETTRONICO



MAZZER FMA00191C-C

MAZZER FMA00191C/A

**1251914 CON.GR.BURRS MAZZER (PAIR) RH SINGLE-PH.**  
external  $\varnothing$  71/49 mm - internal  $\varnothing$  41/14 mm  
thickness 25 mm - 3 fixing holes  
for Grinder-dispenser (MAZZER) ROBUR  
ROBUR ELETTRONICO



MAZZER FMA00186C

MAZZER FMA00186C-C



Suitable for:

# MAZZER



**1251026 CON.GR.BURRS MAZZER (PAIR) RH THREE-PH.**  
 external  $\varnothing$  67/44.5 mm - internal  $\varnothing$  44.5/14 mm  
 thickness 23 mm - 3 mounting holes  
 inner grooving for feather  
 for Grinder-dispenser (MAZZER) KONY



MAZZER FMA00192C

MAZZER FMA00192C-C

**1251913 CON.GR.BURRS MAZZER (PAIR) RH THREE-PH.**  
 external  $\varnothing$  83/59 mm - internal  $\varnothing$  52/14 mm  
 thickness 25 mm - 3 fixing holes  
 for Grinder-dispenser (MAZZER) ROBUR



MAZZER FMA00187C

MAZZER FMA00187C-C

**5019959 COPPIA MACINE MAZZER MONOFASE DX**  
 $\varnothing$  esterno 115 mm -  $\varnothing$  interno 68 mm  
 spessore 12 mm - 3 fori di fissaggio  
 per MAZZER M1000



MAZZER FMA00174M

**1251116 GRIND.BURRS MAZZER (PAIR) RH SINGLE-PH.**  
 external  $\varnothing$  70 mm - internal  $\varnothing$  40 mm  
 thickness 9 mm - 3 mounting holes  
 for Grinder-dispenser (MAZZER) M100



MAZZER FMA00175M

**1251118 GRIND.BURRS MAZZER (PAIR) RH SINGLE-PH.**  
 external  $\varnothing$  83 mm - internal  $\varnothing$  49 mm  
 thickness 9.6 mm - 3 mounting holes  
 for Grinder-dispenser (MAZZER) MAJOR  
 MAJOR ELETTRONICO



MAZZER FMA00151A

**1251927 GRIND.BURRS MAZZER (PAIR) RH SINGLE-PH.**  
 external  $\varnothing$  83 mm - internal  $\varnothing$  49 mm  
 thickness 9.6 mm - 3 fixing holes  
 for Grinder-dispenser (MAZZER) MAJOR  
 MAJOR ELETTRONICO



MAZZER FMA00151A

MAZZER FMA00151D

**1251935 GRIND.BURRS MAZZER (PAIR) RH SINGLE-PH.**  
 external  $\varnothing$  64 mm - internal  $\varnothing$  37 mm  
 thickness 8.4 mm - 3 mounting holes  
 for Grinder-dispenser (MAZZER) SUPERJOLLY



MAZZER FMA00033M

**1251056 GRIND.BURRS MAZZER (PAIR) RH THREE-PH.**  
 external  $\varnothing$  64 mm - internal  $\varnothing$  37 mm  
 thickness 9 mm - 3 fixing holes  
 for Grinder-dispenser (MAZZER) SUPERJOLLY



MAZZER FMA00033T



Suitable for:

**1251117 GRIND.BURRS MAZZER (PAIR) RH THREE-PH.**

external  $\varnothing$  70 mm - internal  $\varnothing$  40 mm  
thickness 9 mm - 3 mounting holes  
for Grinder-dispenser (MAZZER) M100



MAZZER FMA00175T

Suitable for:

**1251928 GRIND.BURRS MAZZER (PAIR) RH THREE-PH.**

external  $\varnothing$  83 mm - internal  $\varnothing$  49 mm  
thickness 9.6 mm - 3 fixing holes  
for Grinder-dispenser (MAZZER) MAJOR - ROYAL  
ROYAL ELETTRONICO - STARK



MAZZER FMA00151C

**1251930 GRIND.BURRS MAZZER (PAIR) RH THREE-PH.**

external  $\varnothing$  64 mm - internal  $\varnothing$  37 mm  
thickness 8.4 mm - 3 fixing holes  
for Grinder-dispenser (MAZZER) SUPERJOLLY



MAZZER FMA00033T

**1251933 GRIND.BURRS MAZZER (PAIR) RIGHT THREE-PH**

external  $\varnothing$  83 mm - internal  $\varnothing$  49 mm  
thickness 9.6 mm - 3 fixing holes  
for Grinder-dispenser (MAZZER) MAJOR - ROYAL  
ROYAL ELETTRONICO - STARK



MAZZER FMA00151B

MAZZER FMA00151M

**1251179 GRIND.BURRS(PAIR) MAZZER 1-PHASE CON.RH**

external  $\varnothing$  63/40 mm - internal  $\varnothing$  40/12 mm  
thickness 23 mm - 3 mounting holes  
inner groove for feather  
for Grinder-dispenser (MAZZER) KONY  
KONY ELETTRONICO



MAZZER FMA00191C/C

**1251180 GRIND.BURRS(PAIR) MAZZER 3-PHASE CON.RH**

external  $\varnothing$  67/44.5 mm - internal  $\varnothing$  44.5/14 mm  
thickness 23 mm - 3 mounting holes  
inner groove for feather  
for Grinder-dispenser (MAZZER) KONY



MAZZER FMA00192C-C

**1251178 GRIND.BURRS(PAIR) MAZZER 3-PHASE RH**

external  $\varnothing$  83 mm - internal  $\varnothing$  49 mm  
thickness 9.6 mm - 3 mounting holes  
for Grinder-dispenser (MAZZER) MAJOR - ROYAL  
ROYAL ELETTRONICO - STARK



MAZZER FMA00151B

**5019960 GRIND.BURRS(PAIR) MAZZER 3-PHASE RH**

external  $\varnothing$  115 mm - internal  $\varnothing$  68 mm  
thickness 12 mm - 3 mounting holes  
for Grinder-dispenser (MAZZER) M1000



MAZZER FMA00174T



Suitable for:

# MAZZER



## 1251181 GRIND.BURRS(PAIR) 1-PHASE MAZZER CON.RH

external  $\varnothing$  71/49 mm - internal  $\varnothing$  41/14 mm  
thickness 25 mm - 3 mounting holes  
for Grinder-dispenser (MAZZER) ROBUR  
ROBUR ELETTRONICO



MAZZER FMA00186C-C

Suitable for:

## 1251182 GRIND.BURRS(PAIR) 3-PHASE MAZZER CON.RH

external  $\varnothing$  83/59 mm - internal  $\varnothing$  52/14 mm  
thickness 25 mm - 3 mounting holes  
for Grinder-dispenser (MAZZER) ROBUR



MAZZER FMA00187C-C

## 1251215 GRINDING BURRS (PAIR) MAZZER RH

external  $\varnothing$  64 mm - internal  $\varnothing$  37 mm  
thickness 8.4 mm - 3 mounting holes  
for Grinder-dispenser (MAZZER) MINI ELETTRONICO A  
MINI ELETTRONICO B



MAZZER

## 1251704 GRINDING BURRS (PAIR) MAZZER SINGLE-PH R

GRIND BURRS "HEAVY DUTY" +70% longer life cycle  
compared to a standard grinding burr  
they do not deform  
less contamination of milled coffee  
 $\varnothing$  external 83 mm -  $\varnothing$  internal 49 mm  
thickness 9.5 mm - 3 fixing holes



MAZZER

## 1251700 GRINDING BURRS (PAIR) MAZZER 1-PHASE RH

GRIND BURRS "HEAVY DUTY" +70% longer life cycle  
compared to a standard grinding burr  
they do not deform  
less contamination of milled coffee  
 $\varnothing$  external 64 mm -  $\varnothing$  internal 38 mm  
thickness 8.5 mm - 3 fixing holes



MAZZER

## 1251705 GRINDING BURRS (PAIR) MAZZER 3-PHASE RH

GRIND BURRS "HEAVY DUTY" +70% longer life cycle  
compared to a standard grinding burr  
they do not deform  
less contamination of milled coffee  
 $\varnothing$  external 83/59 mm -  $\varnothing$  internal 50/14 mm  
thickness 25 mm - 3 fixing holes



MAZZER

## 1251115 GRINDING BURRS MAZZER (PAIR) RH

external  $\varnothing$  64 mm - internal  $\varnothing$  37 mm  
thickness 8.4 mm - 3 mounting holes  
for Grinder-dispenser (MAZZER) MINIELETTRONICO A  
MINIELETTRONICO B



MAZZER FMA00189D

## 1251215 GRINDING BURRS (PAIR) MAZZER RH

external  $\varnothing$  64 mm - internal  $\varnothing$  37 mm  
thickness 8.4 mm - 3 mounting holes  
for Grinder-dispenser (MAZZER) MINI ELETTRONICO A  
MINI ELETTRONICO B



MAZZER



Suitable for:

**1251915 GRINDING BURRS MAZZER (PAIR) RH**  
external  $\varnothing$  58 mm - internal  $\varnothing$  33.5 mm  
thickness 8.5 mm - 3 fixing holes  
for Grinder-dispenser (MAZZER) MINI



MAZZER FMA00182D

Suitable for:

**1251929 SINGLE-PH. GRINDING BURRS PAIR MAZZER RH**  
external  $\varnothing$  64 mm - internal  $\varnothing$  37 mm  
thickness 8.4 mm - 3 fixing holes  
for Grinder-dispenser (MAZZER) SUPERJOLLY



MAZZER FMA00033M

## Grinding burr holders

**1251027 GRINDING BURRS BOTTOM HOLDER SINGLE-PH.**  
for Grinder-dispenser (MAZZER) KONY  
KONY ELETTRONICO



MAZZER SKO0POA07

**1251923 GRINDING BURRS TOP HOLDER**  
for Grinder-dispenser (MAZZER) ROBUR

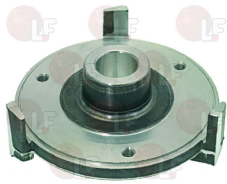


MAZZER SRO0POA06

MAZZER SRO0POA09

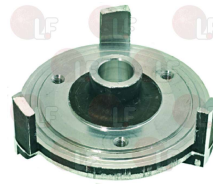
MAZZER SRO0POA09-A

**1251919 LOWER BURRS HOLDER**  
for Grinder-dispenser (MAZZER) MAJOR - ROYAL  
STARK



MAZZER SMJ0POA07

**1251921 LOWER BURRS HOLDER**  
for Grinder-dispenser (MAZZER) MINI ELETTRONICO A  
MINI ELETTRONICO B - SUPERJOLLY



MAZZER SSJ0POA04

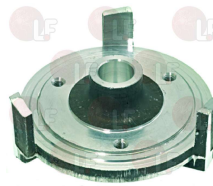
**1251924 LOWER BURRS HOLDER**  
for Grinder-dispenser (MAZZER) ROBUR  
ROBUR ELETTRONICO



MAZZER SRO0POA07

MAZZER SRO0POA07-A

**1251926 LOWER BURRS HOLDER**  
for Grinder-dispenser (MAZZER) MINI



MAZZER SMI0POA01

**1251920 UPPER BURRS HOLDER**  
for Grinder-dispenser (MAZZER) SUPERJOLLY



MAZZER SSJ0POA03

MAZZER SSJ0POA03-B

**1251925 UPPER BURRS HOLDER**  
for Grinder-dispenser (MAZZER) MINI



MAZZER SMI0POA04

MAZZER SMI0POA04-A

MAZZER SMI0POA05





Suitable for:

# MAZZER



Suitable for:

## Heating elements

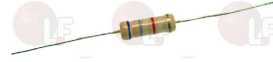
**1755900 HEATING ELEMENT 220 K 0hm 2W**



MAZZER S000REB01

MAZZER S000REB03

**1755901 HEATING ELEMENT 68 K 0hm 2W**



MAZZER S000REB02

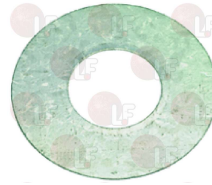
## Ironmongery (screws,nuts,washers)

**1252091 COMPENSATION RING ø 32 mm**



MAZZER S000ANA01

**1252098 DOSER WASHER**



MAZZER S000ROA02

MAZZER S000ROA02-A

MAZZER S000ROA02-B

**1252093 DOSING ADJUSTMENT SCREW**



MAZZER S000VIA01

## Knobs

**1241542 BLACK KNOB FOR CONVERTER**  
square hole 5x5 mm



MAZZER

**1241909 SMALL CONTROL HANDLE**



MAZZER S000MAB02

MAZZER S000MAB02/A

## Lamps

**1221901 GREEN INDICATOR LAMP 230/400V**  
head ø 20 mm - hole ø 10 mm  
silicone cables  
cable length 400 mm

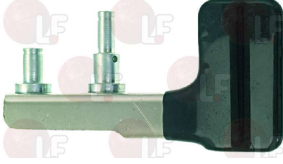


MAZZER S000LAA06



## Levers

**1252096 DOSER LEVER**  
for Grinder-dispenser (MAZZER) KONY - LUX - MAJOR  
MINI - M100 - ROBUR - ROYAL - STARK  
SUPERJOLLY



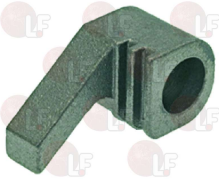
MAZZER S00SLEA02

**1252097 DOSER LEVER ASSEMBLY**  
for Grinder-dispenser (MAZZER) KONY - LUX - MAJOR  
MINI - M100 - ROBUR - ROYAL - STARK  
SUPERJOLLY



MAZZER S00SFOA01

**1252095 DOSER RETAINER**

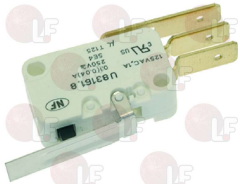


MAZZER S000NAA01

MAZZER S000NAA01A

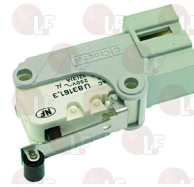
## Microswitches

**1240054 MICROSWITCH 0.1A 250V**  
for Grinder-dispenser (MAZZER) MINI ELETTRONICO B



MAZZER SME0MIA01

**1240942 MICROSWITCH 12A 250 V**  
for Grinder-dispenser (MAZZER) KONY - LUX - MAJOR  
MINI - M100 - ROBUR - ROYAL - STARK  
SUPERJOLLY



MAZZER S00SMIA04

MAZZER S00SMIA11

**1240941 UPPER MICROSWITCH ASSEMBLY**  
for Grinder-dispenser (MAZZER) KONY - LUX - MAJOR  
MINI - M100 - ROBUR - ROYAL - STARK  
SUPERJOLLY



MAZZER S00SMIA01

MAZZER S00SMIA09

MAZZER S00SMIA03

MAZZER S00SMIA3

MAZZER S00SMIA07



Suitable for:

# MAZZER



Suitable for:

## Motors

**1240052 FAN MOTOR 60x60x25 mm 12VDC 2.4W**  
for Grinder-dispenser (MAZZER) KONY ELETTRONICO  
MAJOR ELETTRONICO



MAZZER S00SVEB01

MAZZER S00SVEB03

**1240924 MOTOR FAN**



MAZZER SMJ0VEA01

**1240053 MOTOR FAN 80x80x25 mm 12VDC 2W**  
for Grinder-dispenser (MAZZER) ROBUR ELETTRONICO  
ROYAL ELETTRONICO



MAZZER S00SVEB02

**1240921 ROTOR MAJOR**



MAZZER SMJ0ROA02

**1240929 ROTOR MINI-LUX**



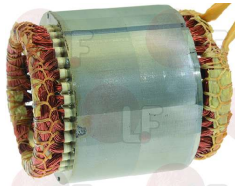
MAZZER SMIOROA00

**1240922 ROTOR SUPER JOLLY**



MAZZER SSJ0ROA01

**1240915 STATOR 220/240V 50Hz**



MAZZER SROSPAE01

**1240918 WOUND STATOR 220/240V 50Hz**



MAZZER SSJSPAE01

**1240917 WOUND STATOR 230/400V 50Hz**



MAZZER SSJSPAE03



## Pawls for coffee grinder dosers

### 1252092 PAWL FOR COFFEE GRINDER/DOSER



MAZZER S00SCRA02

MAZZER S000CRA01

MAZZER S000CRA02

## Pins

### 1324906 ADJUSTMENT RING PIN M5



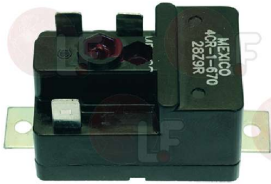
MAZZER SSJSPEA04

MAZZER SSJSPEA04-A

MAZZER S00SPEA00

## Relays

### 1252904 CIRCUIT INTERRUPTER 4CR-1-670

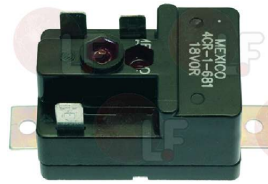


MAZZER S000DIS01

MAZZER S000DIS02

MAZZER S000DIS14

### 1252905 CIRCUIT INTERRUPTER 4CR1-681



MAZZER S000DIS03

MAZZER S000DIS15

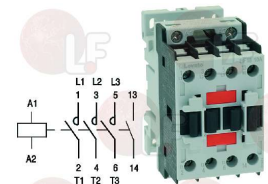
## Remote control switches

### 1454905 CONTACTOR LOVATO BF1610 25A 400V 50Hz 7,7Kw 3 normally closed contacts 1 normally open auxiliary contact



MAZZER S000COC13

### 3446582 CONTACTOR LOVATO BF1810A coil 18A 230V 50/60Hz 7.5Kw 3 normally open contacts 1 normally open auxiliary contact



MAZZER S000COC12

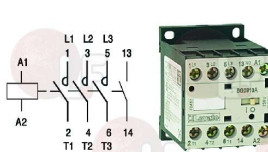
MAZZER S000COC14

### 1454902 CONTACTOR LOVATO BG0910A 9A 400V 50Hz 4Kw 3 closed power contacts 1 open auxiliary contact



MAZZER S000COC08

### 3446556 CONTACTOR LOVATO BG0910A coil 9A 230V 50/60Hz 4Kw 3 normally open contacts 1 normally open auxiliary contact



MAZZER S000COC02



Suitable for:

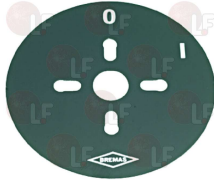
# MAZZER



Suitable for:

## Rotary switches

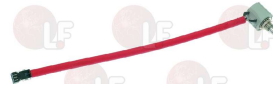
**1252067 LABEL FOR SELECTOR SWITCH 0-1 POSITIONS**



MAZZER R

**1057010 MULTITURN POTENTIOMETER BLACK ACTUAT.**

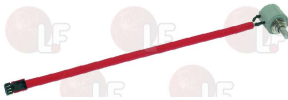
cable length 250 mm  
for Grinder-dispenser (MAZZER) MINI ELETTRONICO A  
MINI ELETTRONICO B



MAZZER S000POT01

**1057011 MULTITURN POTENTIOMETER RED ACTUAT.**

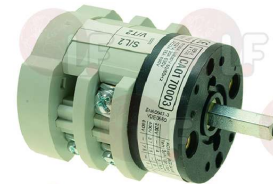
cable length 250 mm  
for Grinder-dispenser (MAZZER) MINI ELETTRONICO A  
MINI ELETTRONICO B



MAZZER S000POT02

**1319001 SELECTOR SWITCH 0-1 POSITIONS 20A 290V**

square pin 5x5 mm

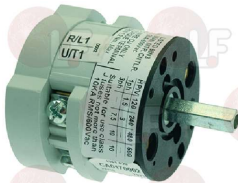


MAZZER S000INA04

MAZZER S000INA04A

**1057902 SELECTOR SWITCH 0-1 POSITIONS 25A 690V**

square pin 5x5 mm  
manual version 110V 60Hz  
for Grinder-dispenser (MAZZER) KONY ELETTRONICO  
MAJOR - ROBUR ELETTRONICO - ROYAL ELETTRONICO  
SUPERJOLLY



MAZZER S000INA09

**1057904 SELECTOR SWITCH 0-1- POSITIONS 20A 690V**

square pin 5x5 mm  
for Grinder-dispenser (MAZZER) KONY - LUX - MAJOR  
MINI - M100 - ROBUR - ROYAL - STARK  
SUPERJOLLY



MAZZER S000INA13

**1057903 SELECTOR SWITCH 0-1-START POSITIONS 20A**

square pin 5x5 mm  
for Grinder-dispenser (MAZZER) KONY - MAJOR - M100  
ROBUR - ROYAL - STARK - SUPERJOLLY



MAZZER S000INA10

MAZZER S000INA10-A

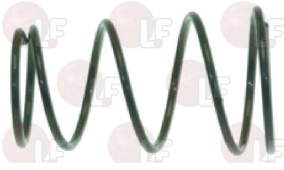
MAZZER S000INA10A





## Springs

**1250178 ACTUATION PIN SPRING**



MAZZER SME0MOL01

**1250922 DOSER LEVER RETURN SPRING**



MAZZER S000MOB03

**1252089 DOSER PRESSURE SPRING**



MAZZER S000MOB05

**1250065 GRINDING CONTROL SPRING**



MAZZER SSJ0MOB01

MAZZER SSJ0MOB01A

MAZZER S000MOB14

**1250921 LOWER MICRORELEASE SPRING**



MAZZER S000MOB06

**1250923 RETAINER SPRING**



MAZZER S000MOB04

**1250070 SPOUT SPRING**



MAZZER S000MOB09

## Stars and spare parts

**1252088 CLOSING SECTOR**



MAZZER S000SEA01

**1343901 COFFEE STIRRING STAR WITH ROD**



MAZZER SMJSSTA04

**1343904 LOWER MICROSWITCH STAR**



MAZZER S000STA05

**1343905 LOWER MICROSWITCH STAR SPACER**



MAZZER S000DIA01

MAZZER S000DIA01-A



Suitable for:

# MAZZER



**1343902 STAR (FEMALE)**



MAZZER S000STA03

MAZZER S000STA03-B

Suitable for:

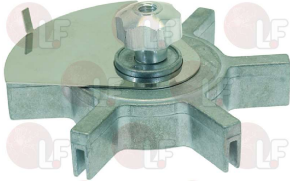
**1343903 STAR (MALE)**



MAZZER S000STA02

MAZZER S000STA02-B

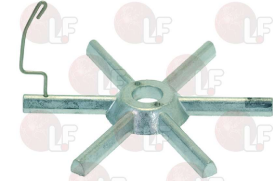
**1343907 STAR WITH ADJUSTMENT KNOB**



MAZZER S000GRA08

MAZZER S000GRA08-A

**1343066 TOP STAR**



MAZZER SMISSTA04

**1343010 UPPER STAR WITH PIN**



MAZZER SSJSSTA04

## Switches

**1319902 BLACK BIPOLAR SWITCH 16A 250V**

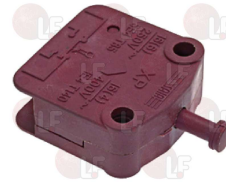
with indicator led lamp  
mounting hole 22x30 mm  
for Grinder-dispenser (CIMBALI) ALINOX - ALINOX A  
CADET - MD JUNIOR  
for Grinder-dispenser (DRM) GTM64  
for Grinder-dispenser (MAZZER) LUX - MINI  
MINI ELETTRONICO A - MINI ELETTRONICO B



MAZZER S000INA12

MAZZER S000INA12A

**1319903 SAFETY SWITCH**



MAZZER S000INR01

## Tampers for coffee

**1385901 COFFEE TAMPER ø 53 mm**



MAZZER S000PRA02-A

MAZZER S000PRA02A

**1385902 COFFEE TAMPER ø 54.5 mm**



MAZZER S000PRA02



# MAZZER



Suitable for:

**1385903 COFFEE TAMPER ø 58 mm**



MAZZER S000PRA02-C

MAZZER S000PRA02C

Suitable for:

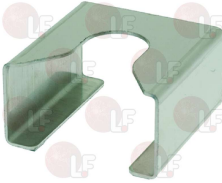
**1385400 DOUBLE ALUMINIUM COFFEE TAMPER ø 57/53mm**  
convex pressing area



MAZZER S000PRD02

MAZZER S000PRD02-C

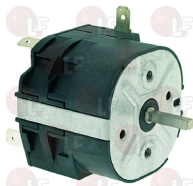
**1385401 FILTER HOLDER SUPPORT F/MANUAL TAMPER**  
made of stainless STEEL



MAZZER S00SSUP01

## Timers

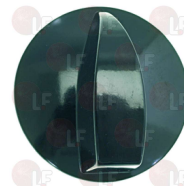
**1446901 THREE-POLAR TIMER 50 SECONDS**  
for Grinder-dispenser (MAZZER) MAJOR - M100  
SUPERJOLLY



MAZZER S000TIA03

MAZZER S000TIA03-A

**1446903 TIMER KNOB**



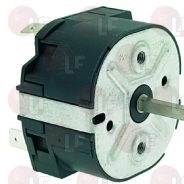
MAZZER S000MAB01

**1446902 TIMER LABEL**



MAZZER S000TAA03

**1446900 TIMER 50 SECONDS 16A 250V**  
mechanical movement with balance wheel  
1-minute manually set cycle  
bipolar timer with contact capacity 16A 250V  
environment temperature max 125°C  
square pin 3.5x3.5 mm  
for Grinder-dispenser (FIORENZATO M.C.) F5 - F6  
for Grinder-dispenser (MAZZER) LUX - MAJOR - MINI  
M100 - SUPERJOLLY



MAZZER S000TIA02



Suitable for:

# MAZZER



Suitable for:

## Trays

**1252439 COFFEE COLLECTING TRAY**  
for Grinder-dispenser (MAZZER) LUX  
MINIELETTRONICO B



MAZZER SMIOPIB01

MAZZER SMIOPIB02

**1252440 COFFEE COLLECTING TRAY**  
for Grinder-dispenser (MAZZER) MINI  
MINIELETTRONICO B



MAZZER SMIOPIB03

**1252900 GROUNDS TRAY**



MAZZER SMJOPIB02

MAZZER SSJOPIB02

## Vibration insulators for motors

**1252084 VIBRATION DUMPING A18x8.5 M**



MAZZER S000ANV01

MAZZER S000ANV04

*The data herewith contained may change without notice and LF SpA cannot be held responsible for possible errors stated or resulting by the use of this document. All rights reserved. No part of this publication may be reproduced without written permission by LF SpA.*



**LF SpA**  
via Voltri, 80 - 47522 Cesena (FC) ITALIA  
Tel. +39 0547 34 11 11 - Fax +39 0547 34 11 10  
[www.lfricambi724.it](http://www.lfricambi724.it) - [www.lfricambi724.mobi](http://www.lfricambi724.mobi)  
[info@lfricambi.it](mailto:info@lfricambi.it)  
Export Dept.: Tel. +39 0547 34 11 50 - Fax: +39 0547 34 11 55  
[www.lfspareparts724.com](http://www.lfspareparts724.com) - [www.lfspareparts724.mobi](http://www.lfspareparts724.mobi)  
[export@lfspaceparts.com](mailto:export@lfspaceparts.com)

**FRANCE**



**EPGC Sas**  
13, Rue des Forts - 59960 Neuville en Ferrain  
Tél. +33 (0)3 20 25 06 21  
Fax +33 (0)3 20 25 34 12  
[www.epgc.com](http://www.epgc.com)  
[www.epgc724.mobi](http://www.epgc724.mobi)  
[epgc@epgc.com](mailto:epgc@epgc.com)

**DEUTSCHLAND**



**LF GmbH**  
Junkersstrasse, 1 - D-82178 Puchheim - München  
Tel. +49 89 89 45 78 66  
Fax +49 89 89 45 78 88  
[www.lfersatzteile724.de](http://www.lfersatzteile724.de)  
[www.lfersatzteile724.mobi](http://www.lfersatzteile724.mobi)  
[info@lfersatzteile.de](mailto:info@lfersatzteile.de)

**SCHWEIZ**



**LF GmbH Verkaufsbüro**  
Sennweidstrasse, 45 - CH-6312 Steinhausen  
Tel. +41 (0)41 760 15 80-1  
Fax +41 (0)41 760 15 85  
[www.lfersatzteile724.ch](http://www.lfersatzteile724.ch)  
[www.lfersatzteile724.mobi](http://www.lfersatzteile724.mobi)  
[info@lfersatzteile.ch](mailto:info@lfersatzteile.ch)

**ESPAÑA**



**LF Repuestos Horeca S.L.U.**  
Calle Ciudad Real, 10 - 45517 Escalonilla - Toledo  
Tif. +34 91 477 91 00  
Fax +34 91 477 90 81  
[www.lfrepuestos724.es](http://www.lfrepuestos724.es)  
[www.lfrepuestos724.mobi](http://www.lfrepuestos724.mobi)  
[info@lfrepuestos.es](mailto:info@lfrepuestos.es)

**UNITED KINGDOM**



**LF Spare Parts Ltd.**  
A10a Lakeside Business Park, Broadway Lane  
South Cerney, Gloucestershire GL7 5XL  
Tel. +44 (0)1285 86 16 25  
Fax +44 (0)1285 86 39 49  
[www.lfspareparts724.co.uk](http://www.lfspareparts724.co.uk)  
[www.lfspareparts724.mobi](http://www.lfspareparts724.mobi)  
[info@lfspaceparts.co.uk](mailto:info@lfspaceparts.co.uk)

**RUSSIA**



**OOO LF**  
ul, Anatoliya Zhivova, 8 - office 1 - 123100 Moscow  
Tel. +7 499 259 85 75  
Fax +7 495 725 26 53  
[www.lfspareparts724.ru](http://www.lfspareparts724.ru)  
[www.lfspareparts724.mobi](http://www.lfspareparts724.mobi)  
[info@lfspaceparts.ru](mailto:info@lfspaceparts.ru)

**CHINA**



**LF China**  
Room 102, House 8, Lane 725, Mao Tai Rd.  
Changning Dist. - 200336 Shanghai  
Tel. +86 (0)21 33 53 66 31  
Fax +86 (0)21 33 53 66 32  
[www.lfspareparts724.com](http://www.lfspareparts724.com)  
[www.lfspareparts724.mobi](http://www.lfspareparts724.mobi)  
[china@lfspaceparts.com](mailto:china@lfspaceparts.com)